

Osby Parca EL 160 Eco

– A new generation of electric boilers 72-156 kW

The Professional's Choice Since 1935

New control system and new design

The new electric boilers have been refined aesthetically with a new control system. The design offers a modern and sleek impression. The control system with touchscreen is clear and user-friendly, and enables the property caretaker to monitor the boiler and its servicing intervals.

Functions

The new control system allows for simple operation and start-up. The customer is no longer dependent on the manual to the same extent. It also allows individual functions to be monitored according to each customer's needs. The overview of the boiler's parameters is easy-to-understand and convenient. For example, it is possible to view boiler output in addition to temperature.

Connecting to external equipment is simple, such as integration/control from a heat pump. All that is needed is a separate outdoor temperature sensor for outdoor temperature compensation.

All parameters are accessible via Modbus.

Two Models Available

The Eco series comes equipped with circuit breakers as standard.

Built-in safety equipment is an economical option for compliance with SS-EN 12828. The safety circuit can also be expanded with up to two manually resettable external guards, such as an additional emergency stop. The control system's relay card is outfitted with LEDs both on the inputs and outputs in order to visually display that which is activated.





Osby Parca Electric Boilers Eco

Smart electric boilers 36-498 kW



Eco series touchscreens

- ✓ Reliable and affordable
- ✓ Embedded **TOUCHSCREEN**
- ✓ Operating history and alarm with **TROUBLESHOOTING TEXT**
- ✓ Backup via USB
- ✓ **CIRCUIT BREAKER** as standard
- ✓ Ample space for electrical connections and control signals.
- ✓ Eco represents 100 % **SWEDISH QUALITY** and low maintenance costs.
- ✓ Communication via MODbus, Profibus, RS485 and Ethernet
- ✓ Alerts via **BMS SYSTEM, GSM MODULE** or relay output
- ✓ Tariff control
- ✓ Prepared for connection to solar collectors.
- ✓ Simple output limitation in % (the system calculates the number of stages automatically)



Osby Parca Electric Boilers Eco

Smart electric boilers 36-498 kW



Electric boilers with touchscreens and built-in safety equipment

Osby Parca provides reputable electric boilers, complete with built-in safety equipment. A very reliable and convenient solution which is approved by a notified body. The electric boilers are often installed in combination with other heat sources, such as heat pumps, solid fuel boilers or solar collectors.

All of our electric boilers are equipped with a touchscreen as standard. The equipment provides ample installation possibilities for optimising operation, which allows for more reliable and economical use of the boiler.

The boilers are built around a pressure vessel with top-mounted immersion heaters and easily accessible connections for water supply and return lines, as well as drainage. The electrical equipment is installed behind a lockable hatch on the front of the boiler.

Common areas of use include radiator water heating in various types of facilities, and heating of process water in industrial environments.

Benefits of Osby Parca's electric boilers:

- Can be supplied with complete, built-in safety equipment.
- After a power outage that lasts for more than three minutes, boiler output connection is delayed for one hour in accordance with SEF's recommendations.
- Boiler output connection is regulated in stages (the number of stages can be limited to achieve lower power).
- The system's main fuse can be protected by installing current transformers and current sensors.
- The water temperature of the boiler can be regulated according to the preferred temperature (set point) or an external signal from e.g. a heat pump or outdoor sensor.
- Equipped with an overheat protector which remains in break mode after overheating.
- Several boilers can be connected in parallel for a higher total output.
- Approved for zero flow.

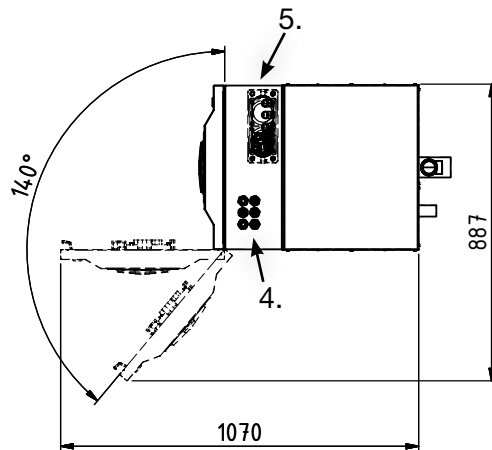
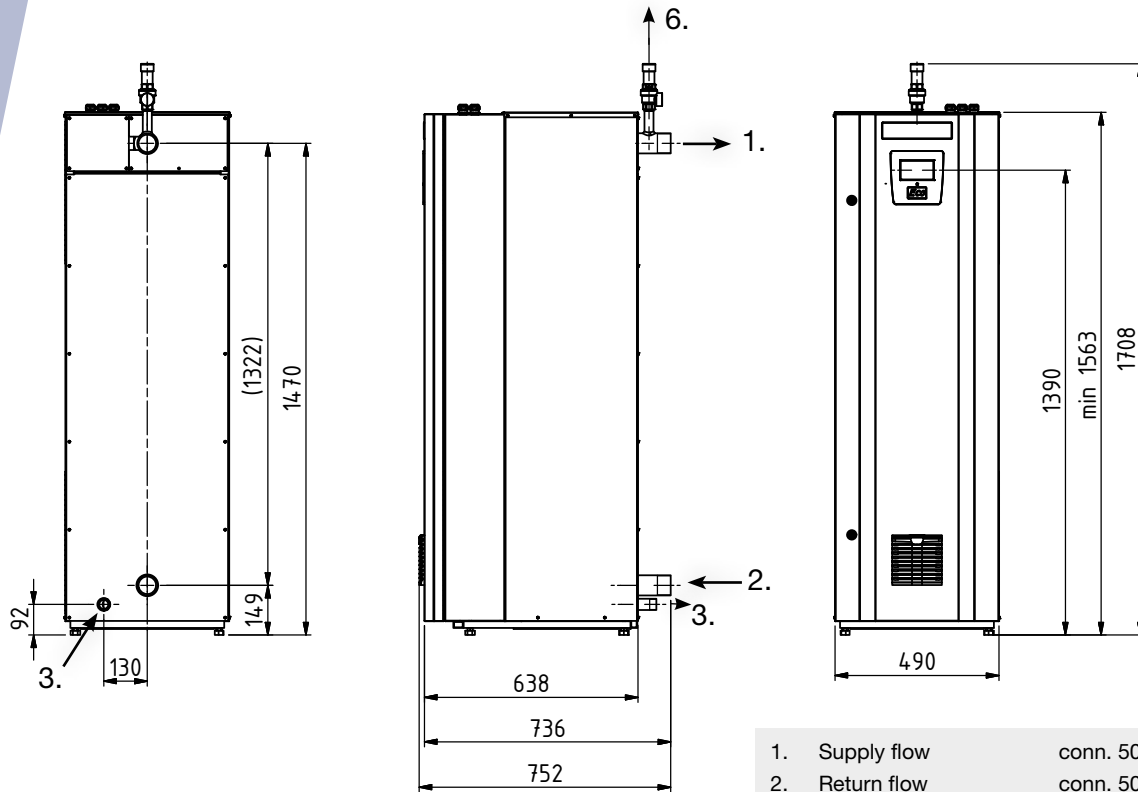
Equipment Built-in safety system				
Boiler output	Designation	Connection	Opening pressure	Qty
72 - 156 kW	Safety valve	DN 20/25	3 bar	1
	Max. pressure switch	DN 15		1
	Min. pressure switch	DN 15		1
	Max. thermostat			1

Accessories Eco-series electric boilers		
Art. No.	Image	Designation
3366-9005	1	GSM Alarm (Battery-powered)
584196401	2	Outdoor temperature sensor
585513301	3	BMS / Internet module
1118404-01	4	3 current sensors for secondary measurement, max. 5A. Excl. current transformer
3364-3065	5	Cable flange FL21 1x16-300 mm ²
3364-3066	5	Cable flange FL 21 2x16-300 mm ²

Accessories:



Dimensions & Connections EL160 Eco S



- | | |
|-----------------------|------------------------|
| 1. Supply flow | conn. 50 (ext. thread) |
| 2. Return flow | conn. 50 (ext. thread) |
| 3. Drainage | R1" ext. |
| 4. Connection slot | 4 x PG11 |
| 5. Flange opening | 1 pc. FL-21 |
| 6. Safety valve 3 bar | DN 20/25 (Only in S) |

Minimum distance of 900 mm between boiler top and inner ceiling.

Pipe connection has dimensions and C-C equal to Osby Parca EL 150.

Design data - EL160 Eco

Design pressure	4.0 bar
Testing pressure	5.7 bar
Design temperature	110 °C
Maximum operating temperature	100 °C
Boiler water volume	100 litres
Protection class	IP21

Technical data - EL160 Eco

Art. No.		Output	Power steps			Voltage	Current	Main fuse	Cable area		Weight (excl. water)
	Std	S	kW	kW	Qty	V	A	A	Cu mm ²	Al mm ²	kg
7700130	-01	-31	72	9	7	400 V	104	125	50	95	160
7700130	-02	-32	93	9	9	400 V	134	160	70	95	160
7700130	-03	-33	114	9	11	400 V	164	200	95	150	170
7700130	-04	-34	135	9	13	400 V	195	200	95	150	170
7700130	-05	-35	156	9	15	400 V	225	250	150	240	170

Subject to errors or updates to the boiler after 28/06/2017

OSBY PARCA[™]
pannor för proffs

Enertech Group

Enertech AB, Osby Parca div.
Tel. no. +46 (0)479 177 00 | sales@osbyparca.se
www.osbyparca.se
Box 93 | SE-283 22 Osby | SWEDEN