

# EL 360 Eco & EL 500 Eco

– A new generation of electric boilers 198-498 kW

The Professional's Choice Since 1935

## New control system and new design

The new electric boilers have been refined aesthetically with a new control system. The design offers a modern and sleek impression. The control system with touchscreen is clear and user-friendly, and enables the property caretaker to monitor the boiler and its servicing intervals.

## Functions

The new control system allows for simple operation and start-up. The customer is no longer dependent on the manual to the same extent. It also allows individual functions to be monitored according to each customer's needs. The overview of the boiler's parameters is easy-to-understand and convenient. For example, it is possible to view boiler output in addition to temperature.

Connecting to external equipment is simple, such as integration/control from a heat pump. All that is needed is a separate outdoor temperature sensor for outdoor temperature compensation.

All parameters are accessible via Modbus.

## Two Models Available

The Eco series comes equipped with circuit breakers as standard.

Built-in safety equipment is an economical option for compliance with SS-EN 12828. The safety circuit can also be expanded with up to two manually resettable external guards, such as an additional emergency stop. The control system's relay card is outfitted with LEDs both on the inputs and outputs in order to visually display that which is activated.





# Osby Parca Electric Boilers Eco

Smart electric boilers 36-498 kW



Eco series touchscreens

- ✓ Reliable and affordable
- ✓ Embedded **TOUCHSCREEN**
- ✓ Operating history and alarm with **TROUBLESHOOTING TEXT**
- ✓ Backup via USB
- ✓ **CIRCUIT BREAKER** as standard
- ✓ Ample space for electrical connections and control signals.
- ✓ Eco represents 100 % **SWEDISH QUALITY** and low maintenance costs.
- ✓ Communication via MODbus, Profibus, RS485 and Ethernet
- ✓ Alerts via **BMS SYSTEM**, **GSM MODULE** or relay output
- ✓ Tariff control
- ✓ Prepared for connection to solar collectors.
- ✓ Simple output limitation in % (the system calculates the number of stages automatically)



# Osby Parca Electric Boilers Eco

Smart electric boilers 36-498 kW



## Electric boilers with touchscreens and built-in safety equipment

The equipment provides ample installation possibilities for optimising operation, which allows for more reliable and economical use of the boiler.

Common areas of use include radiator water heating in various types of facilities, and heating of process water in industrial environments.

## Benefits of Osby Parca's electric boilers:

- Can be supplied with complete, built-in safety equipment.
- After a power outage that lasts for more than three minutes, boiler output connection is delayed for one hour in accordance with SEF's recommendations.
- Boiler output connection is regulated in stages (the number of stages can be limited to achieve lower power).
- The system's main fuse can be protected by installing current transformers and current sensors.
- The water temperature of the boiler can be regulated according to the preferred temperature (set point) or an external signal from e.g. a heat pump or outdoor sensor.

- Equipped with an overheat protector which remains in break mode after overheating.
- Several boilers can be connected in parallel for a higher total output.
- Approved for zero flow.

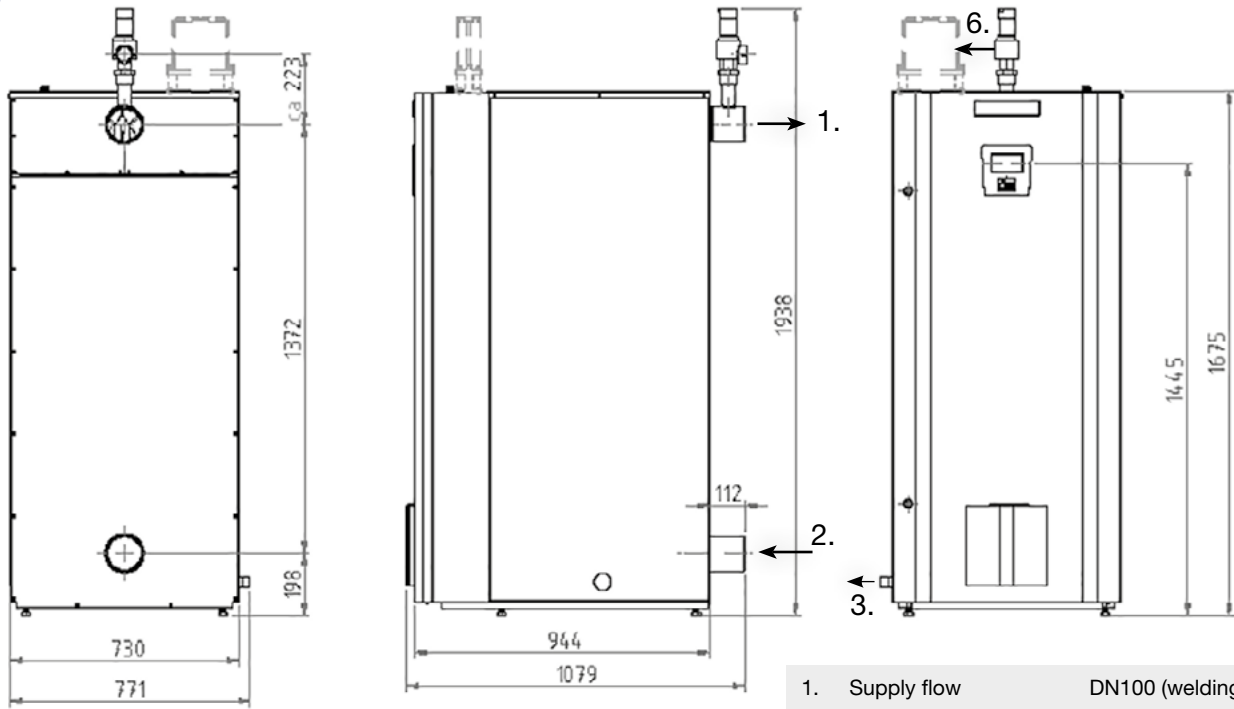
Equipment Built-in safety system				
Output (kW)	Designation	Conn.	Opening pressure	Qty
120 - 273	Safety valve	DN 25/32	6 bar	1
	Max. pressure switch	DN 15		1
	Min. pressure switch	DN 15		1
	Max. thermostat			1
315 - 498	Safety valve	DN 25/32	6 bar	1
	Max. pressure switch	DN 15		2
	Min. pressure switch	DN 15		1
	Max. thermostat			2

Accessories Eco-series electric boilers		
Art. No.	Image	Designation
3366-9005	1	GSM Alarm (Battery-powered)
584196401	2	Outdoor temperature sensor incl. 15 m cable
585513301	3	BMS / Internet module
1118404-01	4	3 current sensors for secondary measurement, max. 5A. Excl. current transformer
3364-3065	5	Cable flange FL21 1x16-300 mm <sup>2</sup>
3364-3066	5	Cable flange FL 21 2x16-300 mm <sup>2</sup>
6000-0502		Pipe system EL360 accessory 710 kW
6000-0501		Pipe system EL500 accessory 1 MW

## Accessories:



## Dimensions & Connections EL 360 & 500 Eco S



- |                       |                      |
|-----------------------|----------------------|
| 1. Supply flow        | DN100 (welding conn) |
| 2. Return flow        | DN100 (welding conn) |
| 3. Drainage           | R1" ext.             |
| 4. Connection slot    | 4 x PG11             |
| 5. Flange opening     | 2 pc. FL-21          |
| 6. Safety valve 6 bar | DN 25/32 (Only in S) |

Minimum distance of 900 mm between boiler top and inner ceiling.

Separate power supply 230 V 1 ~ required for operating voltage.

Pipe connections do not have the same location as previous Parca EL 350/500.

### Design data - EL 360 & 500 Eco

Design pressure	6.0 bar
Testing pressure	8,6 bar
Design temperature	110 °C
Maximum operating temperature	100 °C
Boiler water volume	372 litres
Protection class	IP21

### Technical data - EL 360 & 500 Eco

Art. No.			Output	First step	Step	Voltage	Current	Main fuse	Cable area		Weight (excl. water)
	Std	S	kW	kW	Qty	V	A	A	Cu mm <sup>2</sup>	Al mm <sup>2</sup>	kg
<b>360 Eco</b>											
7700140	-01	-31	198	9	19	400 V	286	315	2x70	2x95	410
7700140	-02	-32	240	9	23	400 V	346	400	2x95	2x150	410
7700140	-03	-33	273	21	13	400 V	394	400	2x95	2x150	410
7700140	-04	-34	315	21	15	400 V	455	500	2x150	2x240	410
7700140	-05	-35	357	21	17	400 V	515	630	2x185	3x150	410
<b>500 Eco</b>											
7700150	-01	-31	420	21	24	400 V	606	630	2x185	3x150	420
7700150	-02	-32	498	21	20	400 V	719	800	3x150	3x240	420

Subject to errors or updates to the boiler after 05/01 2018