

BURnit

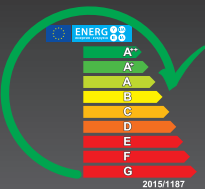
by **SUNSYSTEM**

BIOMASS HEATING PELLET STOVES





Pellet stoves **BURNiT Comfort 4G** are convenient heating solution. They are easy to install, space-saving, equipped with convenient electronic control and do not require a separate boiler room.



Class

A+

Nominal heat output, kW



Energy efficiency. Directive 2010/30/EU, regulation 2015/1187



**Pellet stove
BURNiT Comfort 4G**

For direct space heating of living premises

Built-in fan for forced air circulation for rapid and uniform heating.
Door with heat-resistant glass - temperature up to 700°C.
Intelligent controller. Remote control.
Clean and fuel-saving combustion.
Built-in pellet hopper and pellet burner.
Contemporary design. Colors: **Ivory, Bordeaux and Black**



**Pellet stove
BURNiT Comfort 4G**

For central space heating of living premises.

Water mantle (jacket). Operating pressure 2 bar.
Door with heat-resistant glass - temperature up to 700°C.
Intelligent controller. Remote control.
Clean and fuel-saving combustion.
Built-in pellet burner, fuel hopper, circulation pump and expansion vessel.
Contemporary design. Colors: **Ivory, Bordeaux and Black**.



Optional equipment

WiFi module. Managed by a mobile application for Android or iOS.

COMFORT 4G



Recommended fuel:



wood - pellets, \varnothing 6-8 mm
EN ISO 17225-2:2014



Model

Code

8	COMFORT 4G/8	22091200008822
10	COMFORT 4G/10	22091200008823
13	COMFORT 4G/13	22091200009826
13	COMFORT 4G/13 B	22091200009866
25	COMFORT 4G/25	22091200009829
25	COMFORT 4G/25 B	22091200009869



Model

Code

8	COMFORT 4G/8	22091200008832
10	COMFORT 4G/10	22091200008833
13	COMFORT 4G/13	22091200009836
13	COMFORT 4G/13 B	22091200009876
25	COMFORT 4G/25	22091200009839
25	COMFORT 4G/25 B	22091200009879



Model

Code

8	COMFORT 4G/8	22091200008812
10	COMFORT 4G/10	22091200008813
13	COMFORT 4G/13	22091200009816
13	COMFORT 4G/13 B	22091200009856
25	COMFORT 4G/25	22091200009819
25	COMFORT 4G/25 B	22091200009859



Comfort 4G/13 B

This type pellet stove is equipped with thermal insulated metal door and can be installed on frost protected balcony or premises.

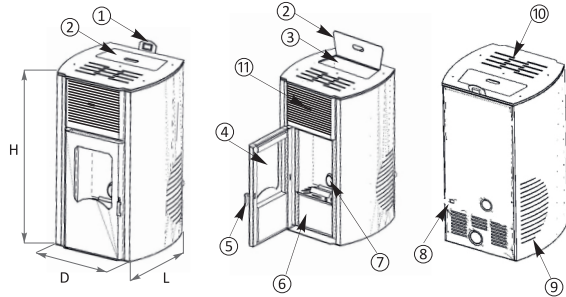


Microprocessor controller. Functions:

Automated ignition and pellet feed.
Controls built-in pump for heating system (for models PM Comfort).
Controls by an external thermostat.



Comfort 4G/8-10

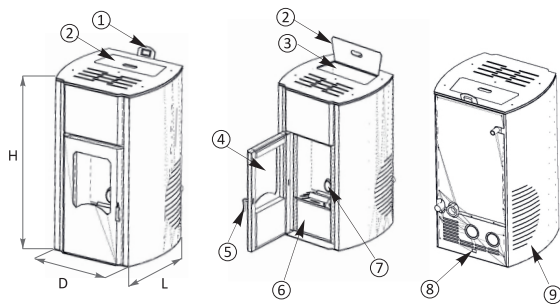


Components:

- ① Controller. ② Cover of the hopper for pellets.
- ③ Hopper for pellets. ④ Ceramic glass. ⑤ Door lock.
- ⑥ Ash container. ⑦ Pellet burner. ⑧ Power supply.
- ⑨ Decorative side panels. ⑩ A bowl for water for air humidifier.
- ⑪ Level for pipe cleaning.



Comfort 4G/13-25



Components:

- ① Controller. ② Cover of the hopper for pellets.
- ③ Hopper for pellets. ④ Ceramic glass. ⑤ Door lock.
- ⑥ Ash container. ⑦ Pellet burner. ⑧ Power supply.
- ⑨ Decorative side panels.

COMFORT 4G



		Comfort 4G/8	Comfort 4G/10	Comfort 4G/13	Comfort 4G/25
Nominal heat output	kW	8	10	13	25
Reduced heat output	kW	5	8	5.5	11
Heat power water mantle	kW			11	21.5
Height (H)	mm	970	1020	900	1100
Width (L) x Depth (D)	mm	430x580	510x610	530x520	580x680
Water mantle volume	L			13	24
Volume hopper pellets	kg	8	15	12	40
Burning time at maximum power of full pellet hopper	h	12	14	8	12
Average fuel consumption per hour	h/kg	0.7	1.1	1.5	3
Input / output mantle volume	ø			nipple 1"	nipple 1"
Pipe for incoming air	ø, mm	32	32	40	40
Pipe for exhaust gas -Flue connection	ø, mm	75	75	80	80
CO content calculated to 13% O ₂ in the flue gas at nominal heat output	h/kg	0.03%	0.03%	0.02%	0.02%
Exhaust gas temperature (operation mode)	°C	<180	<180	<180	<180
Electric power supply	V/Hz/W	230/50/120	230/50/120	230/50/150	230/50/150
Weight	kg	80	100	120	180

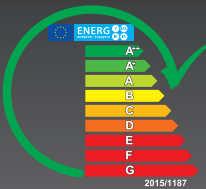


The information provided herein is subject to change without prior notice.



Pellet stoves **BURiit Ambient V.2 4G** are convenient heating solution.

They are easy to install, space-saving, equipped with convenient electronic control and do not require a separate boiler room.



Class

A

Nominal heat output, kW



Energy efficiency. Directive 2010/30/EU, regulation 2015/1187



Pellet Stove Ambient V.2 4G
For direct space heating of living premises

Built-in fan for forced air circulation for rapid and uniform heating.
Door with heat-resistant glass - temperature up to 700°C.
Intelligent controller. Remote control.
Clean and fuel-saving combustion.
Built-in pellet hopper and pellet burner.
Contemporary design. Colors: **Ivory and Bordeaux.**

**Optional equipment**

WiFi module. Managed by a mobile application for Android or iOS.

Ambient V.2 4G with air circulation



Microprocessor controller. Functions:

Automated ignition and pellet feed.
Controls by an external thermostat.



Recommended fuel:



wood - pellets, \varnothing 6÷8 mm
EN ISO 17225-2:2014



Model

Code

8

AMBIENT V.2 4G/8

00091200008822

10

AMBIENT V.2 4G/10

00091200008823



Model

Code

8

AMBIENT V.2 4G/8

00091200008832

10

AMBIENT V.2 4G/10

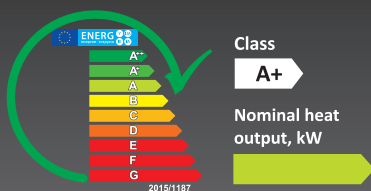
00091200008833

		Ambient V.2 4G/8	Ambient V.2 4G/10
Nominal heat output	kW	8	10
Reduced heat output	kW	5	8
Height (H)	mm	915	915
Width (L) x Depth (D)	mm	460 x 500	460 x 500
Volume hopper pellets	kg	8	15
Burning time at maximum power of full pellet hopper	h	12	14
Average fuel consumption per hour	h/kg	0.7	1.1
Pipe for incoming air	\varnothing , mm	33.7	33.7
Pipe for exhaust gas -Flue connection	\varnothing , mm	75	80
CO content calculated to 13% O ₂ in the flue gas at nominal heat output	h/kg	0.03%	0.03%
Exhaust gas temperature (operation mode)	°C	<180	<180
Electric power supply	V/Hz/W	230/50/120	230/50/120
Weight	kg	95	95



Pellet stoves **BURiit Advant 4G** are convenient heating solution.

They are easy to install, space-saving, equipped with convenient electronic control and do not require a separate boiler room.



Energy efficiency. Directive 2010/30/EU, regulation 2015/1187



Pellet Stove Advant 4G

With water mantle for central space heating of living premises

Water mantle (jacket). Operating pressure 2 bar.
Door with heat-resistant glass - temperature up to 700°C.
Intelligent controller. Remote control.
Clean and fuel-saving combustion.
Built-in pellet burner, fuel hopper, circulation pump and expansion vessel.
Contemporary design. Colors: **Ivory**, **Bordeaux** and **Black**.



Optional equipment

WiFi module. Managed by a mobile application for Android or iOS.

Advant 4G with water mantle (jacket)



Microprocessor controller. Functions:

Automated ignition and pellet feed.
Controls by an external thermostat.



Recommended fuel:



wood - pellets, \varnothing 6÷8 mm
EN ISO 17225-2:2014



Model

Code

13	Advant 4G/13	00091200009726
18	Advant 4G/18	00091200009728
25	Advant 4G/25	00091200009729



Model

Code

13	Advant 4G/13	00091200009736
18	Advant 4G/18	00091200009738
25	Advant 4G/25	00091200009739



Model

Code

13	Advant 4G/13	00091200009716
18	Advant 4G/18	00091200009718
25	Advant 4G/25	00091200009719
25	Advant 4G/25 B2	00091200009749

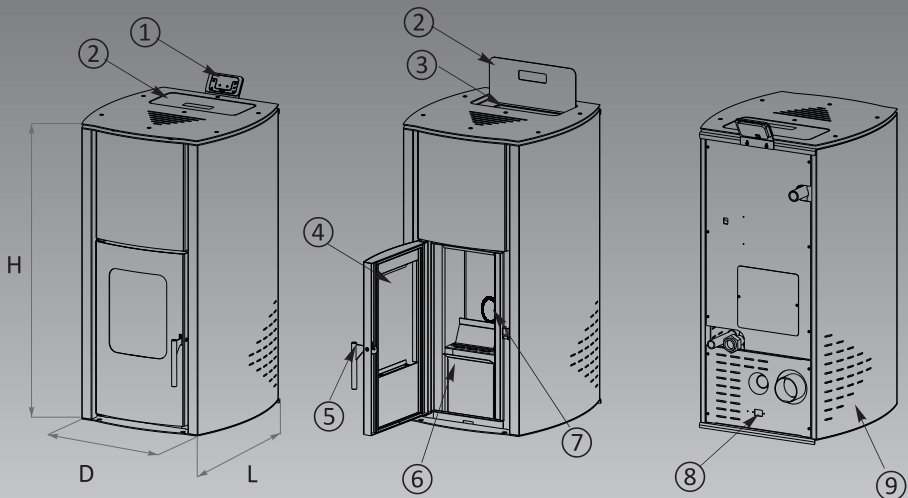


Microprocessor controller. Functions:

Automated ignition and pellet feed.
Controls built-in pump for heating system.
Controls by an external thermostat.

**Components:**

- ① Controller. ② Cover of the hopper for pellets.
- ③ Hopper for pellets. ④ Ceramic glass. ⑤ Door lock.
- ⑥ Ash container. ⑦ Pellet burner. ⑧ Power supply.
- ⑨ Decorative side panels.



Advant 4G with water mantle (jacket)



		Advant 4G/13	Advant 4G/18	Advant 4G/25
Nominal heat output	kW	13	18	25
Reduced heat output	kW	5.5	7.1	11
Heat power water mantle	kW	11	15.5	21.5
Height (H)	mm	900	950	1100
Width (L) x Depth (D)	mm	530x520	530x520	580x680
Water mantle volume	L	13	20	24
Volume hopper pellets	kg	12	15	25
Burning time at maximum power of full pellet hopper	h	8	10	12
Average fuel consumption per hour	h/kg	1.5	1.8	3
Input / output mantle volume	∅	nipple 1"	nipple 1"	nipple 1"
Pipe for incoming air	∅, mm	40	40	40
Pipe for exhaust gas -Flue connection	∅, mm	80	80	80
CO content calculated to 13% O ₂ in the flue gas at nominal heat output	h/kg	0.02%	0.02%	0.02%
Exhaust gas temperature (operation mode)	°C	<180	<180	<180
Electric power supply	V/Hz/W	230/50/150	230/50/150	230/50/150
Weight	kg	120	140	180



The pellet stove BURNiT Advant B2 is without decorative glass and has an additional water jacket insulation that allows it to be installed in a separate room or balcony without causing heat loss and reduced efficiency.

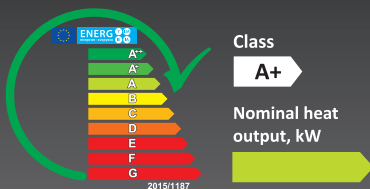
Additional remote control equipment with built-in WiFi module is also available. Thanks to this, you can turn on and off home heating,





Pellet stoves **BURiit Vision 4G** are convenient heating solution.

They are easy to install, space-saving, equipped with convenient electronic control and do not require a separate boiler room.



Energy efficiency. Directive 2010/30/EU, regulation 2015/1187



Pellet Stove Vision 4G

With water mantle for central space heating of living premises.

Water mantle (jacket). Operating pressure 2 bar.
Door with heat-resistant glass - temperature up to 700°C.
Intelligent controller. Remote control.
Clean and fuel-saving combustion.
Built-in pellet burner, fuel hopper, circulation pump and expansion vessel.
Contemporary design.



Optional equipment

WiFi module. Managed by a mobile application for Android or iOS.

Vision 4G with water mantle (jacket)



Recommended fuel:



wood - pellets, \varnothing 6÷8 mm
EN ISO 17225-2:2014



Model

13	VISION 4G/13
18	VISION 4G/18
25	VISION 4G/25



Model

13	VISION 4G/13
18	VISION 4G/18
25	VISION 4G/25

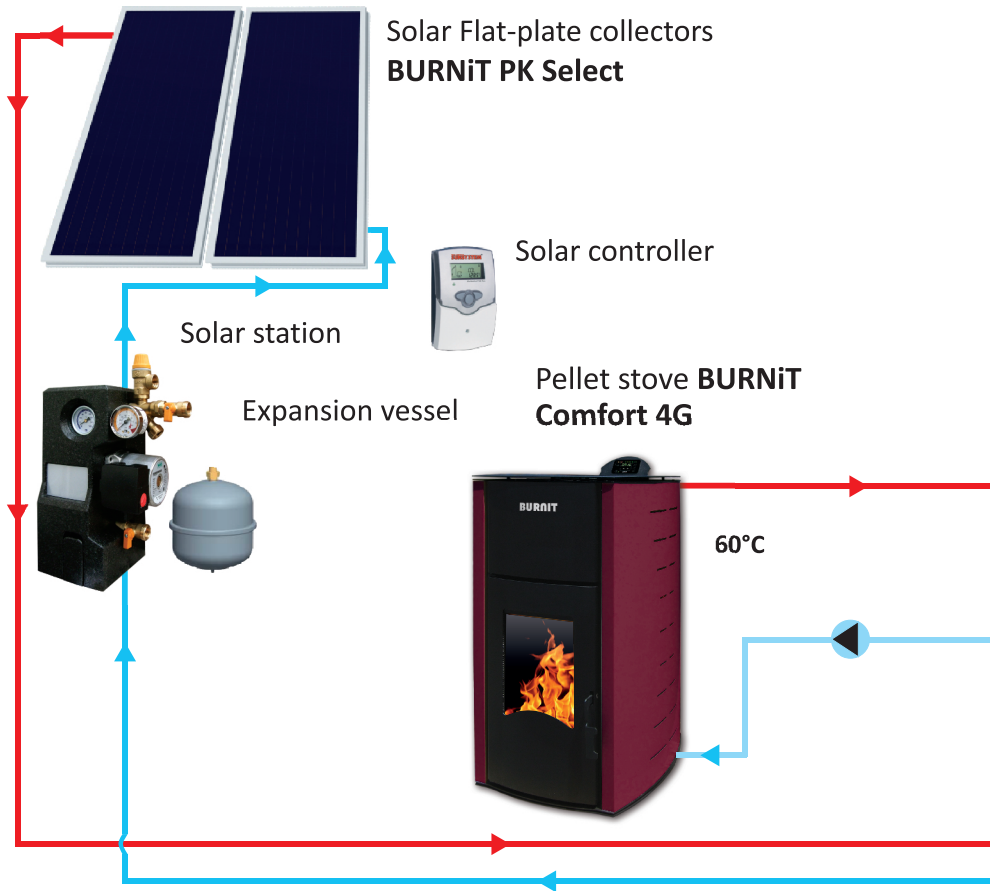
Vision
4G/13

Vision
4G/18

Vision
4G/25

		Vision 4G/13	Vision 4G/18	Vision 4G/25
Nominal heat output	kW	13	18	25
Reduced heat output	kW	5.5	7.1	11
Heat power water mantle	kW	11	15.5	21.5
Height (H)	mm	915	965	1065
Width (L) x Depth (D)	mm	510x527	510x527	598x587
Water mantle volume	L	13	20	24
Volume hopper pellets	kg	12	15	25
Burning time at maximum power of full pellet hopper	h	8	10	12
Average fuel consumption per hour	h/kg	1.5	1.8	3
Input / output mantle volume	\varnothing	nipple 1"	nipple 1"	nipple 1"
Pipe for incoming air	\varnothing , mm	40	40	40
Pipe for exhaust gas -Flue connection	\varnothing , mm	80	80	80
CO content calculated to 13% O ₂ in the flue gas at nominal heat output	h/kg	0.02%	0.02%	0.02%
Exhaust gas temperature (operation mode)	°C	<180	<180	<180
Electric power supply	V/Hz/W	230/50/150	230/50/150	230/50/150
Weight	kg	120	155	186

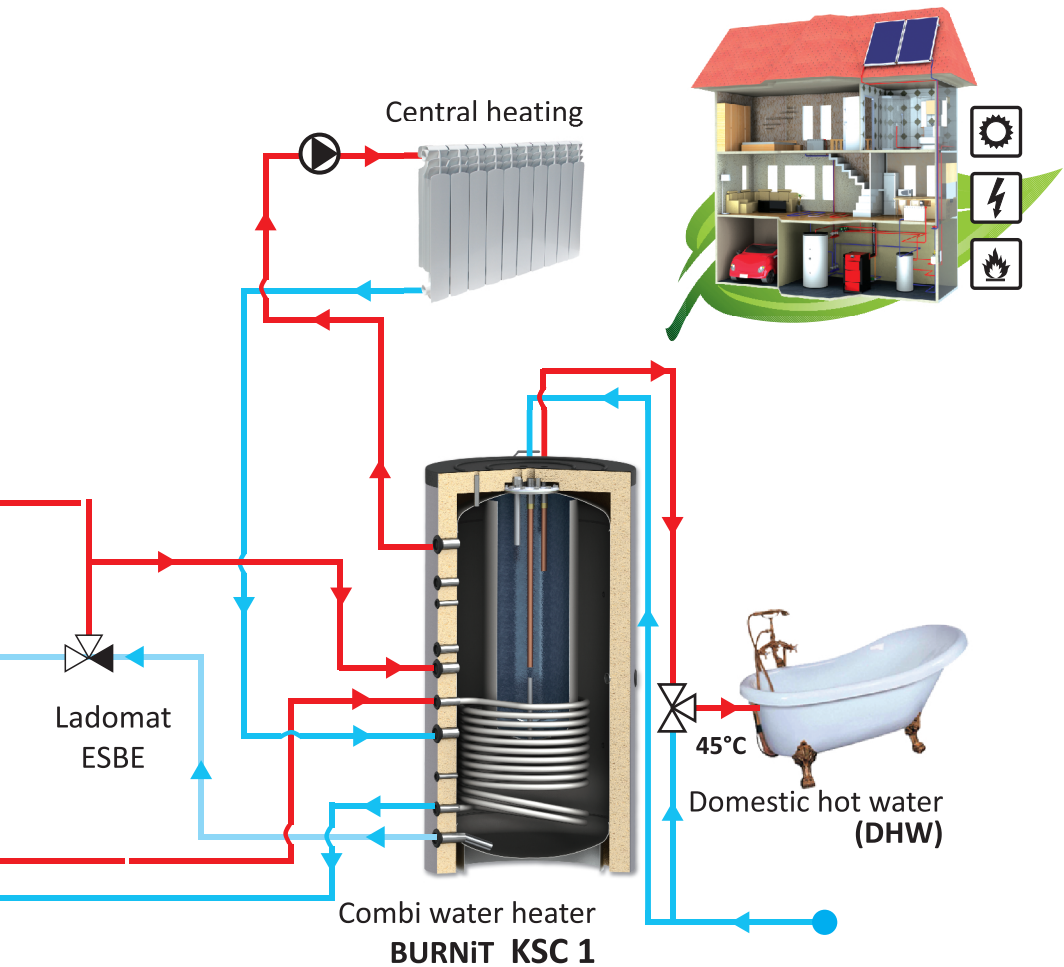
The information provided herein is subject to change without prior notice.



Attention! All schemes are examples.

It is recommended that sizing and connection of your system be carried out by an authorized service professional/specialized service shop.

Year-round solution



In order to ensure long term trouble free operation of your BURNiT appliance, please call an authorized BURNiT service partner to do the installation for you.

BURNIT

by **SUNSYSTEM**[®]



NES Ltd., Shumen, Bulgaria

NES Ltd. is a manufacturer of appliances utilizing alternative energy sources.

The company was established in 2002 in town of Shumen, Bulgaria.

The company has its own manufacturing, warehousing and administrative facilities with an area of 31 000 sq. meters. The staff amounts to 410 highly qualified specialists.

All company activities are governed by QMS ISO 9001:2008.

NES Ltd.



NES Ltd., Sofia, Bulgaria

The production is marketed across Europe, Africa, North America, part of Asia and other marketplaces are in the scope of near-future activities.

Most products of NES Ltd. are designed to utilize alternative energy sources like solar thermal energy, biomass energy and aerothermal energy. These products contribute to sparing the energy reserves of the planet and minimizing the carbon emissions.



NES Ltd

tel.: +359 2 90 39 780, e-mail: sales@burnit.bg

www.burnit.bg