


HANDWASHBASIN ARCHITECTURA

PRODUCT INFORMATION

1 . POSITION



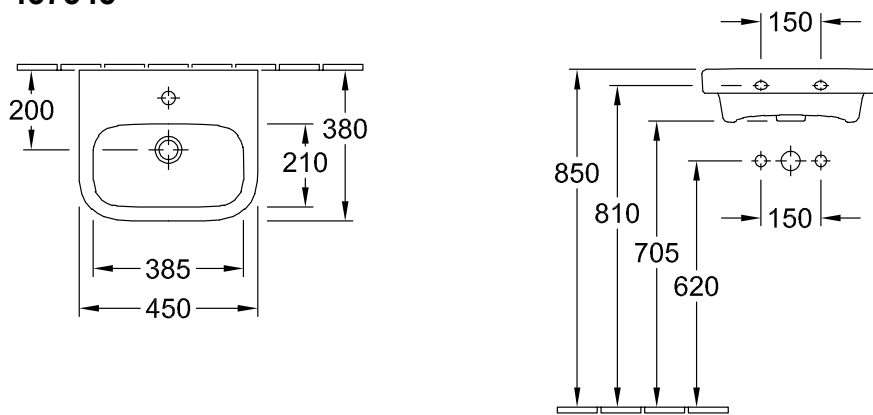
Model	437345
Collection	Architectura
PROJECTS	 PLUS
Width	450 mm
Depth	380 mm
Weight	12 kg
description	Sanitary porcelain Also available in CeramicPlus
Tap fitting / Tap hole remark	suitable for 1-hole tap fittings, tap hole punched out
Overflow remark	with overflow
material	Sanitary porcelain
Specification texts	Architectura; Handwashbasin; Sanitary porcelain; Size: 450 x 380 mm; Angular; suitable for 1-hole tap fittings, tap hole punched out; with overflow

COLOURS

White Alpin	43734501	4051202342586
White Alpin CeramicPlus	437345R1	4051202342593
White Alpin AntiBac	437345T1	4051202467357

TECHNICAL DRAWINGS

437345



TECHNICAL DRAWINGS

437345

