

HANDWASHBASIN AVENTO

PRODUCT INFORMATION

1 . POSITION



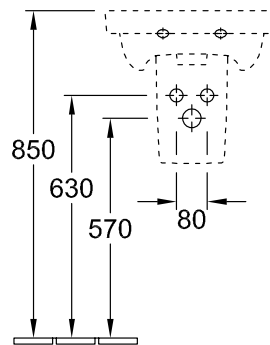
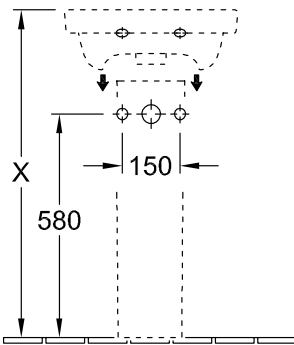
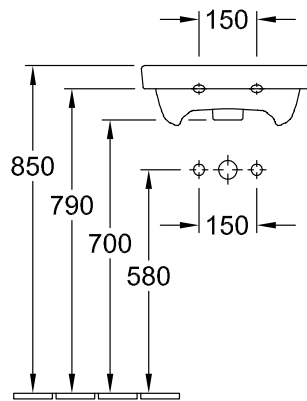
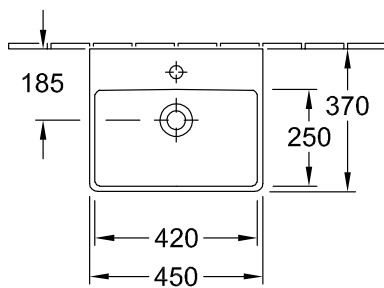
| | |
|-------------------------------|---|
| Model | 735845 |
| Collection | Avento |
| PROJECTS | DESIGN |
| Width | 450 mm |
| Depth | 370 mm |
| Weight | 10,4 kg |
| description | Sanitary porcelain Also available in CeramicPlus |
| Tap fitting / Tap hole remark | suitable for 1-hole tap fittings, tap hole punched out |
| Overflow remark | with overflow |
| material | Sanitary porcelain |
| Specification texts | Avento; Handwashbasin; Sanitary porcelain; Size: 450 x 370 mm; Angular; suitable for 1-hole tap fittings, tap hole punched out; with overflow |

COLOURS

| | | |
|-------------------------|----------|---------------|
| White Alpin | 73584501 | 4051202382148 |
| White Alpin CeramicPlus | 735845R1 | 4051202382155 |

TECHNICAL DRAWINGS

735845



TECHNICAL DRAWINGS

735845

