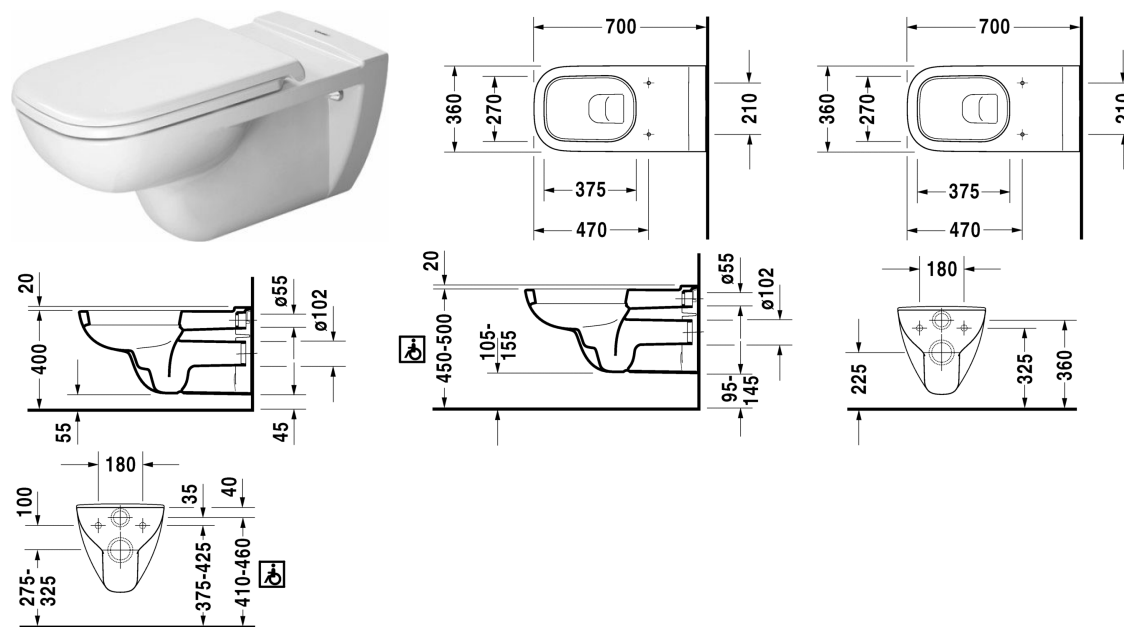


D-Code Toilet wall mounted # 222809..002

| < 360 mm > |



Toilet wall mounted	Dimension	Weight	Order number
washdown model, suitable for barrier-free applications, projection 700 mm, EWL class 1			
Colors			
00 White Alpin 20 HygieneGlaze (an antibacterial ceramic glaze that provides almost indefinite effectiveness)			
Variant			
◆ 4,5 l	360 x 700 mm	28.300 kilogram	222809..002
Accessory			
Fixing for wall mounted bidet and wall mounted toilet	Ø 12 x 180 mm	0.200 kilogram	006500
Suitable products			
Toilet seat and cover elongated, with lateral reinforcement and extended hinge shaft, hinges stainless steel, without soft closure,			006041
Toilet seat and cover elongated, hinges stainless steel, without soft closure,			006031
Toilet seat and cover elongated, hinges stainless steel, removable, with soft closure,			006039
Toilet seat ring elongated, hinges stainless steel, without soft closure,			006071

D-Code Toilet wall mounted # 222809..002

|< 360 mm >|

Toilet seat ring without soft closure, elongated, with lateral reinforcement and extended hinge shaft, hinges stainless steel,

006091

All drawings contain the necessary measurements which are subject to standard tolerances. They are stated in mm and are non-binding. Exact measurements, in particular for customised installation scenarios, can only be taken from the finished ceramic piece.