

## FixFit

### Wall outlet E stop with non-return valve and shut-off valve

Surfaces: **Chrome** Article Number: **27452000**



## Description

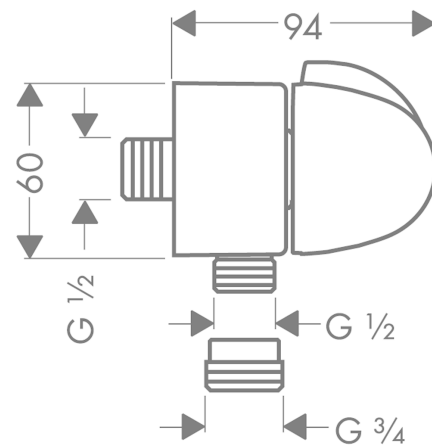
### product features

- with integrated shut-off valve in metal
- with ceramic valve
- non-return valve
- 90° shut-off unit -> ¼ turn
- free flow 30 l/min at 3 bar
- Adapter from G½ to G¾ connection

## Product image



## Scale drawing

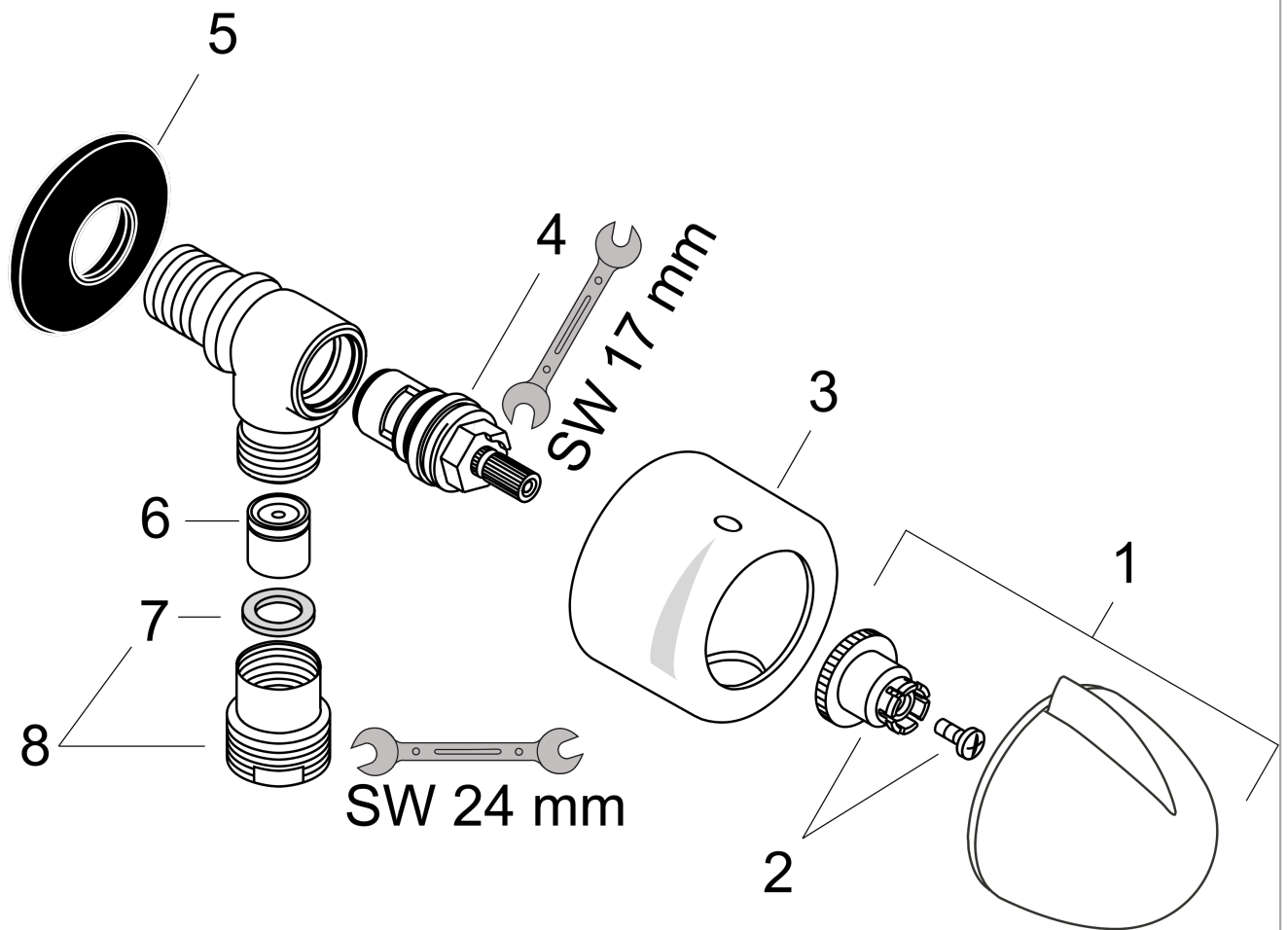


**FixFit**  
**Wall outlet E stop with non-return valve and shut-off valve**  
 Surfaces: **Chrome**    Article Number: **27452000**



### Exploded Drawing

Year of production: >08/01



**FixFit**

**Wall outlet E stop with non-return valve and shut-off valve**

Surfaces: **Chrome** Article Number: **27452000**



**Spare part list**

Year of production: >08/01

Pos.	Description	Article Number	Price	PU
1	handle	36993000	-	1
2	handle fixing set	94184000	-	1
3	sleeve	96240000	-	1
4	shut off unit right closing	96350000	-	1
5	support element	98557000	-	1
6	set of non return valves DW 15	94074000	-	1
7	flat seal	97674000	-	1
8	reduction coupling	92844000	-	1