

Bath spout

Surfaces: **Chrome** Article Number: **71410000**



Description

product features

- connection type: G 3/4
- with escutcheon
- projection 195 mm
- wall-mounted
- maximum flow rate at 3 bar: 21 l/min
- connection dimension: DN20
- spray type: normal spray

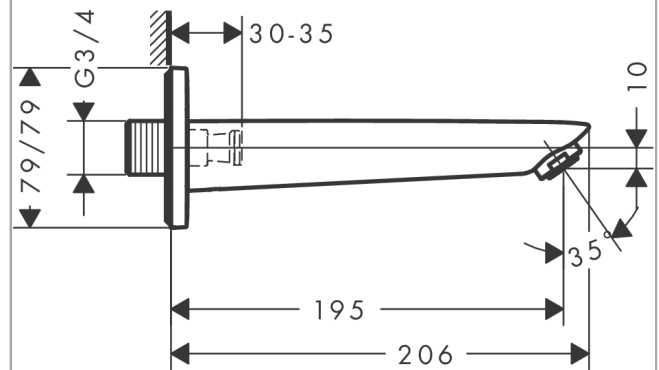
Technology



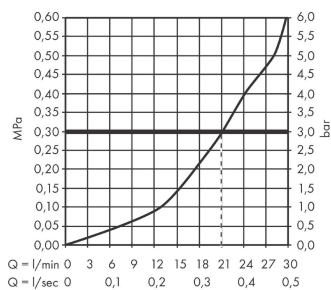
Product image



Scale drawing



Flowchart



The consumption was measured in combination with the appropriate fittings (thermostat/mixer/ in-wall valve) to reflect actual application in practice.

Bath spout

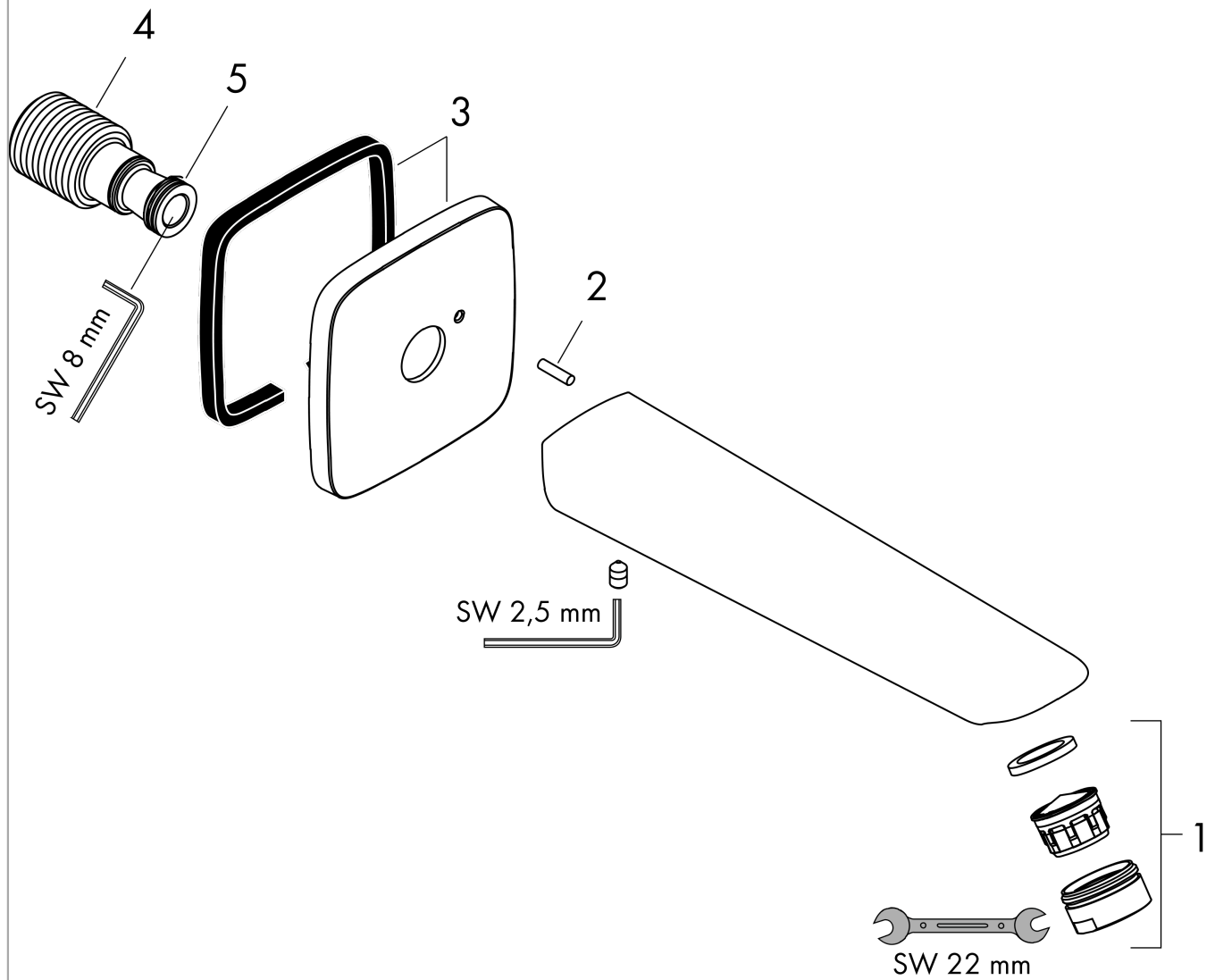
Surfaces: **Chrome**

Article Number: **71410000**



Exploded Drawing

Year of production: >01/15



Bath spoutSurfaces: **Chrome** Article Number: **71410000****Spare part list**

Year of production: >01/15

Pos.	Description	Article Number	Price	PU
1	aerator M24x1 (30 l/min)	92360000	-	1
2	pin	97766000	-	1
3	escutcheon 79 / 79 mm	95283000	-	1
4	connecting thread G $\frac{3}{4}$	92504000	-	1
5	O-ring 13x2	98128000	-	1