

AXOR Citterio M
Single lever basin mixer 100 with pop-up waste set
 Surfaces: **Chrome** Article Number: **34010000**



Description

product features

- consists of: single lever basin mixer, waste set
- ComfortZone 100
- projection 128 mm
- normal spray
- flow rate at 3 bar: 5 l/min
- ceramic cartridge
- temperature limitation adjustable
- suitable for continuous flow water heaters
- pop-up waste set G 1¼
- connection type: G ¾ connections
- connection dimension: DN15

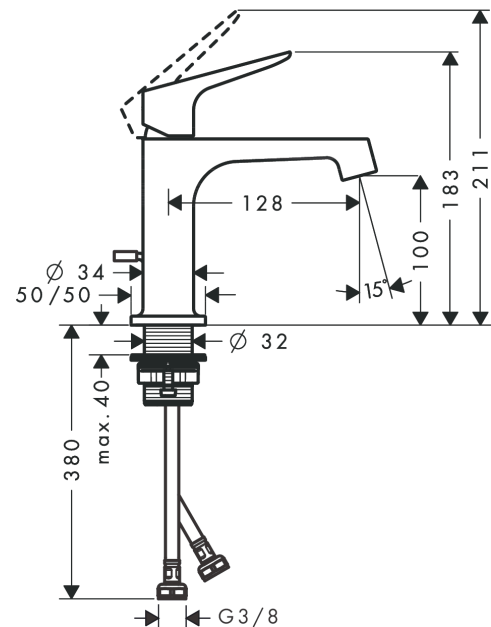
Technology



Product image



Scale drawing



Flowchart

