

AXOR ShowerSolutions

Hand shower 120 3jet

Surfaces: **Chrome** Article Number: **26050000**



Description

product features

- shower head size: 125 mm
- spray type: Rain, RainAir, WhirlAir
- convenient diversion via Select button
- maximum flow rate at 3 bar: 15 l/min
- Minimum flow pressure: 1 bar
- with internal water conduction
- rinseable dirt filter
- connection thread G 1/2
- connection dimension: DN15
- suitable for continuous flow water heaters

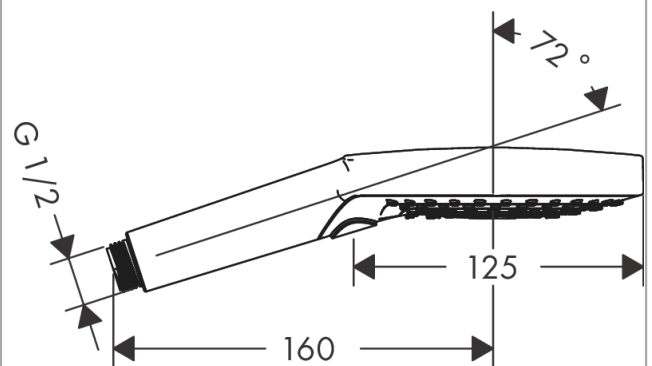
Technology



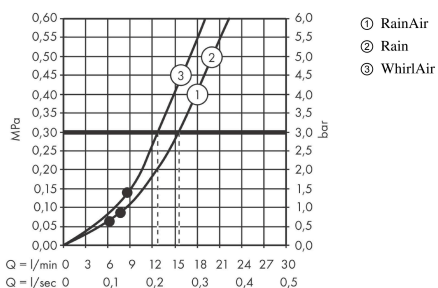
Product image



Scale drawing



Flowchart



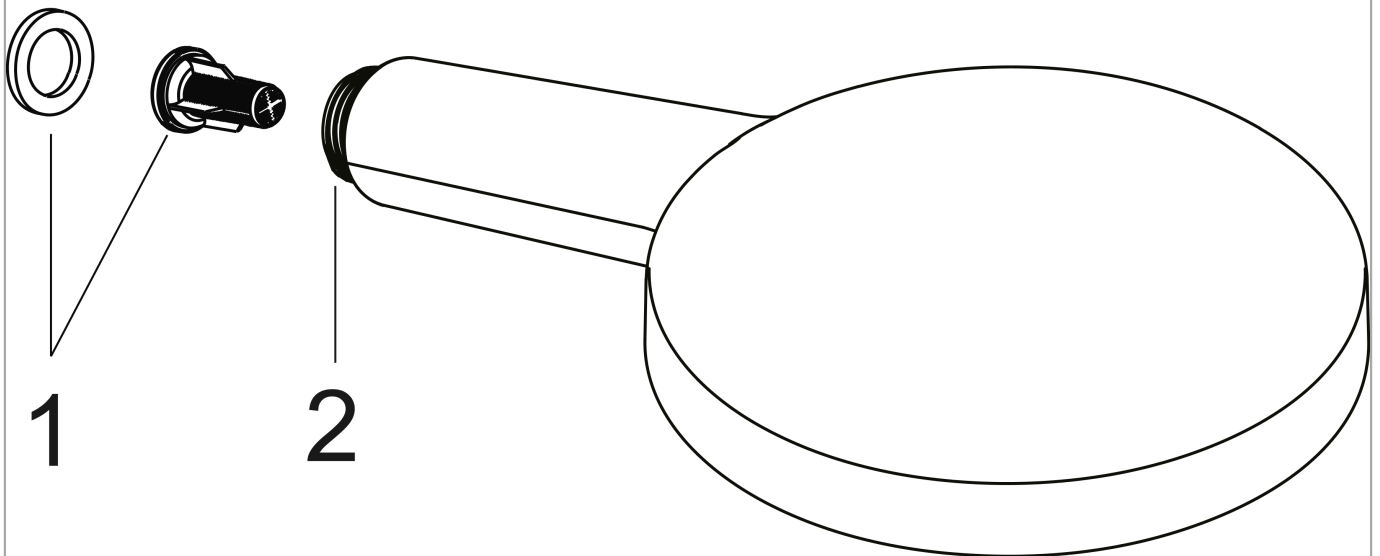
The consumption was measured in combination with the appropriate fittings (thermostat/mixer/ in-wall valve) to reflect actual application in practice.

AXOR ShowerSolutions
Hand shower 120 3jet
Surfaces: **Chrome** Article Number: **26050000**



Exploded Drawing

Year of production: >11/16



AXOR ShowerSolutions
Hand shower 120 3jet
 Surfaces: **Chrome** Article Number: **26050000**



Spare part list

Year of production: >11/16

Pos.	Description	Article Number	Price	PU
1	pivoting connection	93089000	-	1
2	filter insert	97708000	-	1