

ARTIKAL
Item

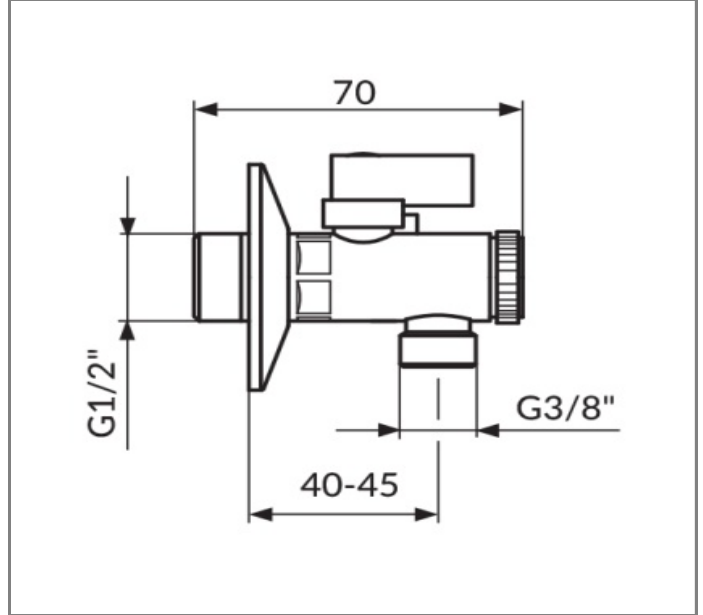
A62F1238

Ugaoni ventil - kugla
Angle valve - ball

SLIKA PROIZVODA Product picture



TEHNIČKA SKICA Technical draft



TEHNIČKI PODACI

Masivna konstrukcija
MS kuglasti ventil sa teflonskim zaptivanjem
ROSAN hromirani rukohvat
Klizna rozeta od Inoxa AISI 304
Filter za havatanje nečistoća

TECHNICAL DETAILS

Massive construction
Brass ball valve with PTFE seals
ROSAN chromed handle
AISI 304 Stainless steel rosette
Stainless steel filter

RADNI USLOVI

Maksimalni radni pritisak: 5 bar
Preporučeni radni pritisak: 3 bar
Minimalni radni pritisak: 1 bar
Maksimalna dozvoljena temperatura: 80°C
Preporučena temperatura vode: 60°C

WORKING CONDITIONS

Max. working pressure : 5 bar
Suggested working pressure : 3 bar
Min. working pressure : 1 bar
Max. working temperature : 80°C
Suggested max. water temperature : 60°C

www.rosan.rs

Srbija, 24420 Kanjiža, Dušana Popovića 10.

tel.+381 24-876-744 fax +381 24-876-756, info@rosan.rs

ARMOR