

ARTIKAL  
Item

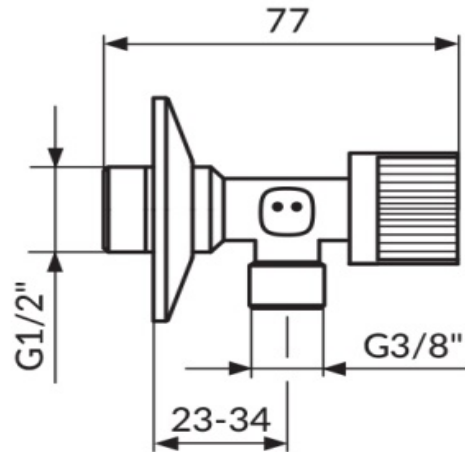
# A621238

Ugaoni ventil - kugla  
Angle valve - ball

## SLIKA PROIZVODA Product picture



## TEHNIČKA SKICA Technical draft



## TEHNIČKI PODACI

Masivna konstrukcija  
MS kuglasti ventil sa teflonskim zaptivanjem  
ROSAN hromirani rukohvat  
Klizna rozeta od Inoxa AISI 304

## TECHNICAL DETAILS

Massive construction  
Brass ball valve with PTFE seals  
ROSAN chromed handle  
AISI 304 Stanineless steel rosette

## RADNI USLOVI

Maksimalni radni pritisak: 5 bar  
Preporučeni radni pritisak: 3 bar  
Minimalni radni pritisak: 1 bar  
Maksimalna dozvoljena temperatura: 80°C  
Preporučena temperatura vode: 60°C

## WORKING CONDITIONS

Max. working pressure : 5 bar  
Suggested working pressure : 3 bar  
Min. working pressure : 1 bar  
Max. working temperature : 80°C  
Suggested max. water temperature : 60°C

[www.rosan.rs](http://www.rosan.rs)

Srbija, 24420 Kanjiža, Dušana Popovića 10.

tel.+381 24-876-744 fax +381 24-876-756, info@rosan.rs

# ARMOR