

AXOR Starck Organic
Bath thermostat for exposed installation
 Surfaces: **Chrome** Article Number: **12410000**



Description

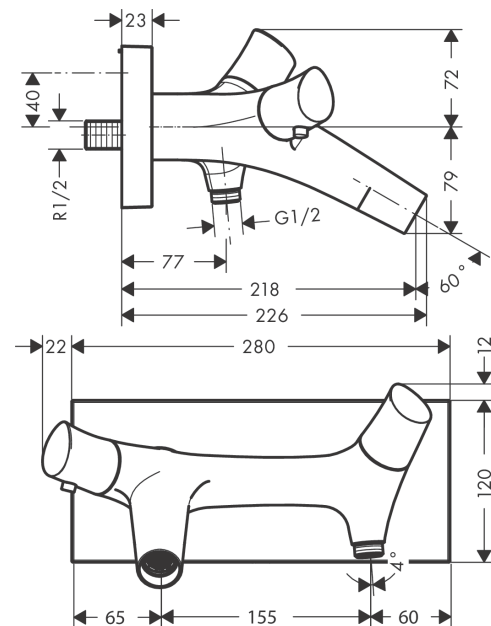
product features

- projection 218 mm
- 2 functions
- centre distance: 150 ± 12 mm
- spray type mixer: laminar spray
- flow rate for bath spout at 3 bar: 28 l/min
- flow rate: 20 l/min
- thermostat cartridge, shut-off/ diverter valve
- min. operating pressure: 1 bar
- max. operating pressure: 10 bar
- safety lock at 40° C
- temperature limitation adjustable
- non-return valve
- with silencer
- connection type: s-shaped connections
- connection dimension: DN15

Product image



Scale drawing



AXOR Starck Organic
Bath thermostat for exposed installation
 Surfaces: **Chrome** Article Number: **12410000**



Flowchart

