

## AXOR ShowerSolutions

### Overhead shower 460/300 1jet with shower arm and softcube escutcheon

Surfaces: **Chrome** Article Number: **35274000**



#### Description

##### product features

- consists of: overhead shower, shower arm
- spray type: Rain
- shower head size: 460 x 270 mm
- shower arm length: 460 mm
- maximum flow rate at 3 bar: 19 l/min
- flow rate Rain spray (at 3 bar): 19 l/min
- material spray disc: metal
- spray disc removable for cleaning
- overhead shower removable for cleaning
- installation: wall
- connection thread G 1/2
- connection dimension: DN15

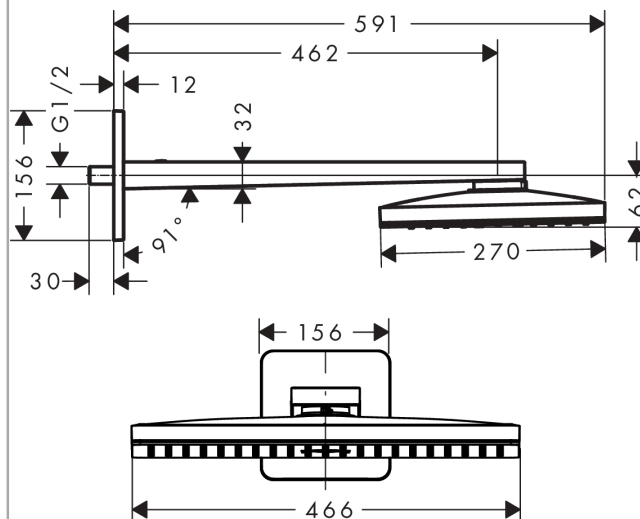
#### Technology



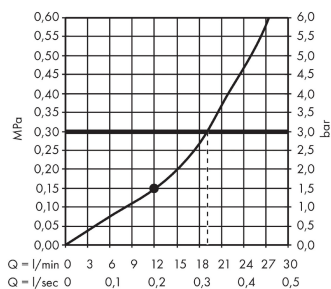
#### Product image



#### Scale drawing



#### Flowchart



The consumption was measured in combination with the appropriate fittings (thermostat/mixer/ in-wall valve) to reflect actual application in practice.