

**AXOR Starck Organic**  
**Thermostat for concealed installation with shut-off/ diverter valve**  
 Surfaces: **Chrome** Article Number: **12716000**



### Description

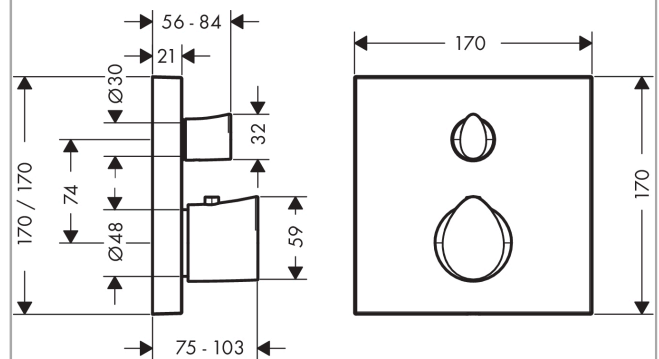
#### product features

- 2 functions
- flow rate at 3 bar: 26 l/min
- thermostat cartridge, shut-off/ diverter valve
- min. operating pressure: 1 bar
- max. operating pressure: 10 bar
- safety lock at 40° C
- temperature limitation adjustable
- non-return valve
- with silencer
- connection type: basic set

### Product image



### Scale drawing



### Flowchart

