

Metris M71

Single lever kitchen mixer 320, pull-out spray, 2jet, sBox

Surfaces: **Chrome** Article Number: **73801000**



Description

product features

- consists of: single lever kitchen mixer, hose box
- ComfortZone 320
- swivel range adjustable in 2 steps to 110° or 150°
- laminar spray and shower spray
- lockable shower spray, spray returns automatically through handle closing
- MagFit magnetic shower support
- connection dimension: DN15
- maximum flow rate at 3 bar: 8 l/min
- ceramic cartridge
- connection type: G 3/8 connections
- integrated non-return valve
- suitable for continuous flow water heaters
- sBox for quiet, smooth and protected hose guidance in the cabinet, under the countertop, with extension length up to 76 cm

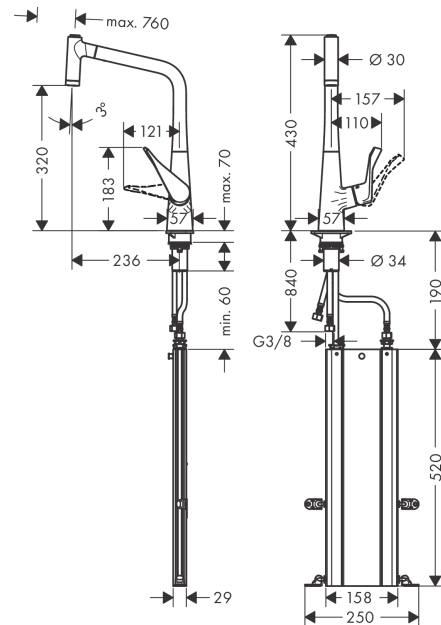
Technology



Product image



Scale drawing



Metris M71
Single lever kitchen mixer 320, pull-out spray, 2jet, sBox
 Surfaces: **Chrome** Article Number: **73801000**



Flowchart

