

Metris Select M71
Single lever kitchen mixer 320, pull-out spray, 2jet, sBox
 Surfaces: **Chrome** Article Number: **73816000**



Description

product features

- consists of: single lever kitchen mixer, hose box
- ComfortZone 320
- swivel range adjustable in 2 steps to 110° or 150°
- laminar spray and shower spray
- lockable shower spray, spray returns through pressing spray diverter and spray returns automatically through handle closing
- Select button for a comfortable start/stop of the water flow
- MagFit magnetic shower support
- connection dimension: DN15
- maximum flow rate at 3 bar: 8 l/min
- ceramic cartridge
- connection type: G 3/8 connections
- integrated non-return valve
- suitable for continuous flow water heaters
- sBox for quiet, smooth and protected hose guidance in the cabinet, under the countertop, with extension length up to 76 cm
- tap hole with \varnothing 35 mm required

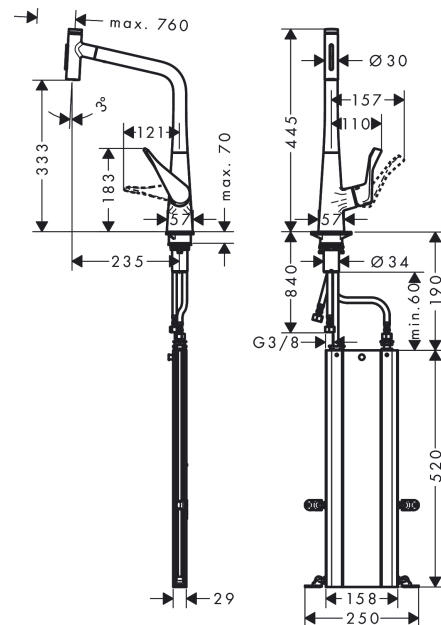
Technology



Product image



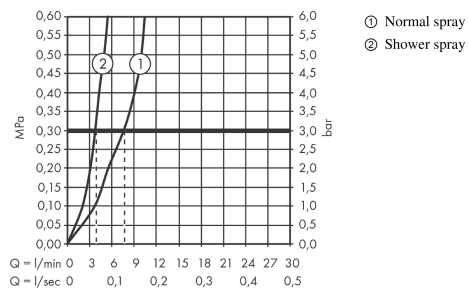
Scale drawing



Metris Select M71
Single lever kitchen mixer 320, pull-out spray, 2jet, sBox
 Surfaces: **Chrome** Article Number: **73816000**



Flowchart



The consumption was measured in combination with the appropriate fittings (thermostat/mixer/in-wall valve) to reflect actual application in practice.