

Aquno Select M81
Single lever kitchen mixer 170, pull-out spray, 3jet, sBox
 Surfaces: **Chrome** Article Number: **73831000**



Description

product features

- consists of: single lever kitchen mixer, hose box, multifunctional strainer
- ComfortZone 170
- swivel range adjustable in 3 steps 60°, 110° or 150°
- laminar spray and shower spray, SatinFlow
- change between SatinFlow and pull-out spray at the touch of a button
- lockable shower spray, spray returns through pressing spray diverter
- MagFit magnetic shower support
- connection dimension: DN15
- maximum flow rate at 3 bar: 8 l/min
- ceramic cartridge
- connection type: G 3/8 connections
- integrated non-return valve
- sBox for quiet, smooth and protected hose guidance in the cabinet, under the countertop, with extension length up to 76 cm
- tap hole with Ø 35 mm required, recommendation: the middle of tap hole drilling should be max. 45 mm from the back side of of the bowl

Technology



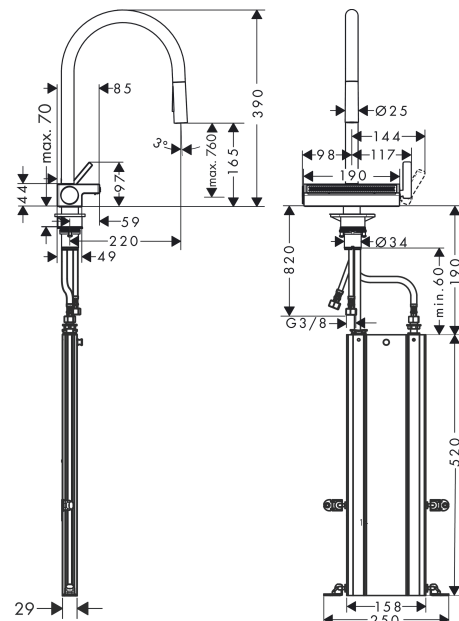
Design awards



Product image



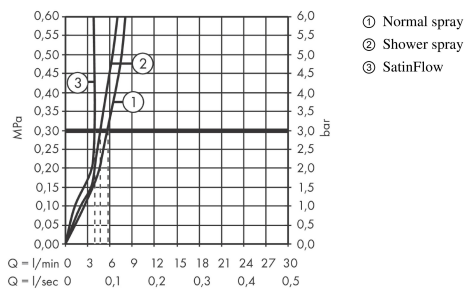
Scale drawing



Aquno Select M81
Single lever kitchen mixer 170, pull-out spray, 3jet, sBox
 Surfaces: **Chrome** Article Number: **73831000**



Flowchart



The consumption was measured in combination with the appropriate fittings (thermostat/mixer/in-wall valve) to reflect actual application in practice.

Aquno Select M81
Single lever kitchen mixer 170, pull-out spray, 3jet, sBox
Surfaces: **Chrome** Article Number: 73831000



Installation examples

