

Talis E

Self-closing basin mixer 110 with temperature control without waste set

Surfaces: **Chrome** Article Number: **71718000**



Description

product features

- ComfortZone 110
- projection: 111 mm
- spray type: normal spray
- maximum flow rate at 3 bar: 5 l/min
- self closing cartridge with temperature control
- running time: 3 - 20 seconds adjustable (7 seconds pre-set)
- temperature limitation adjustable
- suitable for continuous flow water heaters
- thermal disinfection possible
- connection type: G 3/8 connections
- connection dimension: DN15
- service tool #93913000 must be used for thermal disinfection

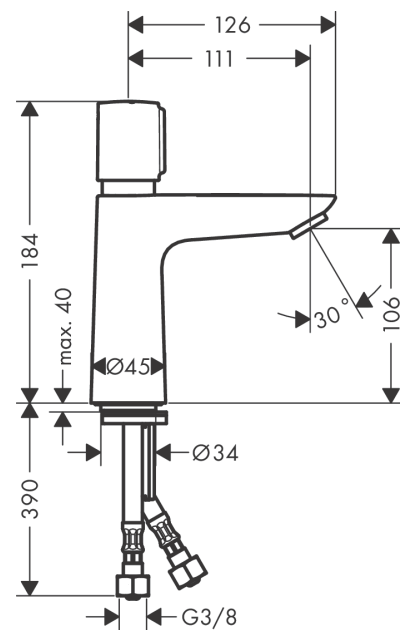
Technology



Product image



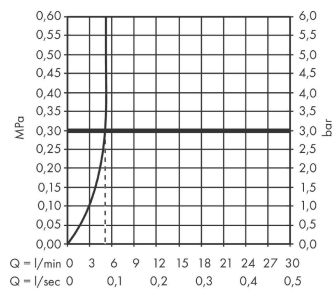
Scale drawing



Talis E
Self-closing basin mixer 110 with temperature control without waste set
 Surfaces: **Chrome** Article Number: **71718000**



Flowchart

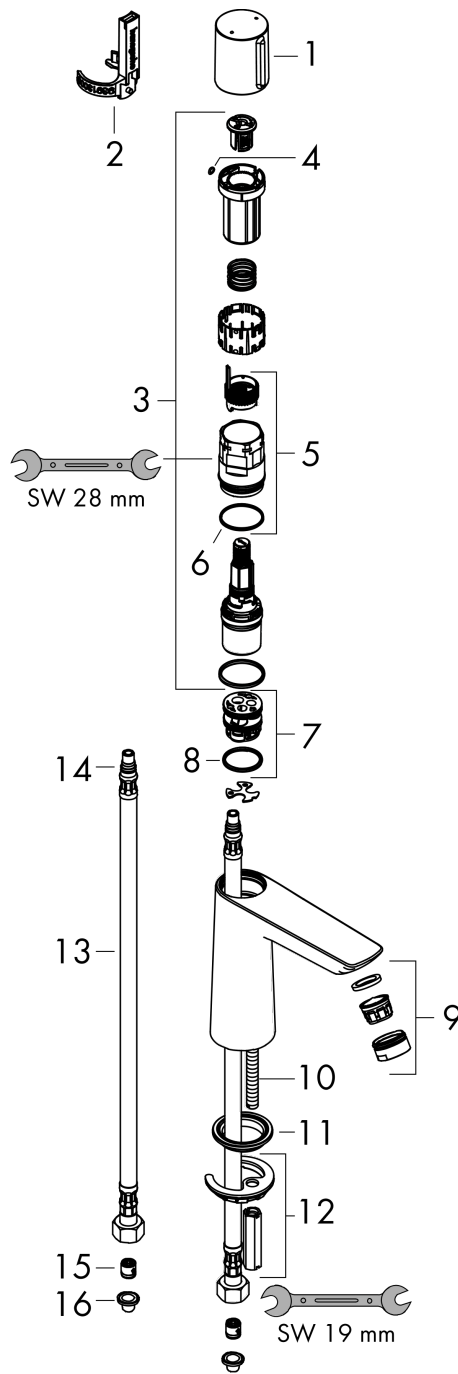


Talis E
Self-closing basin mixer 110 with temperature control without waste set
 Surfaces: **Chrome** Article Number: **71718000**



Exploded Drawing

Year of production: >04/21



Talis E

Self-closing basin mixer 110 with temperature control without waste set

Surfaces: **Chrome** Article Number: **71718000**



Spare part list

Year of production: >04/21

Pos.	Description	Article Number	Price	PU
1	handle	94372000	-	1
2	service set	93913000	-	1
3	cartridge, assy	94373000	-	1
4	O-ring 3x1	98384000	-	1
5	nut	92528000	-	1
6	O-ring 27x1,5	92527000	-	1
7	O-Ring 28x2	98194000	-	1
8	adapter for cartridge	98866000	-	1
9	O-ring 23x2	98398000	-	1
10	aerator M24x1 (5 l/min)	92372000	-	1
11	screw M8 x 68	97736000	-	1
12	seal Ø 42	98722000	-	1
13	fixing set	96016000	-	1
14	connection hose 450 mm M8x0,75 G3/8	93405000	-	1
15	O-ring 7x1,5	98422000	-	1
16	non return valve DW 10	96456000	-	1
17	filter packing	95291000	-	1