

**Logis**  
**Single lever basin mixer 110 Fine with pop-up waste set**  
 Surfaces: **Chrome** Article Number: **71251000**



### Description

#### product features

- consists of: single lever basin mixer, waste set
- ComfortZone 110
- projection: 121 mm
- spray type: normal spray
- maximum flow rate at 3 bar: 5 l/min
- ceramic cartridge
- temperature limitation adjustable
- suitable for continuous flow water heaters
- pop-up waste set G 1¼
- material waste set: synthetic
- connection type: G ¾ connections
- connection dimension: DN15

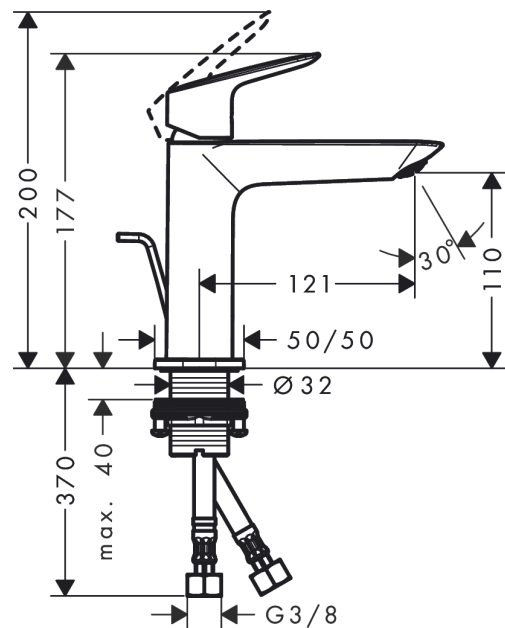
### Technology



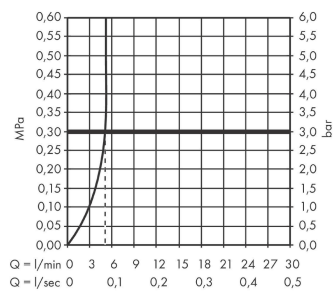
### Product image



### Scale drawing



### Flowchart

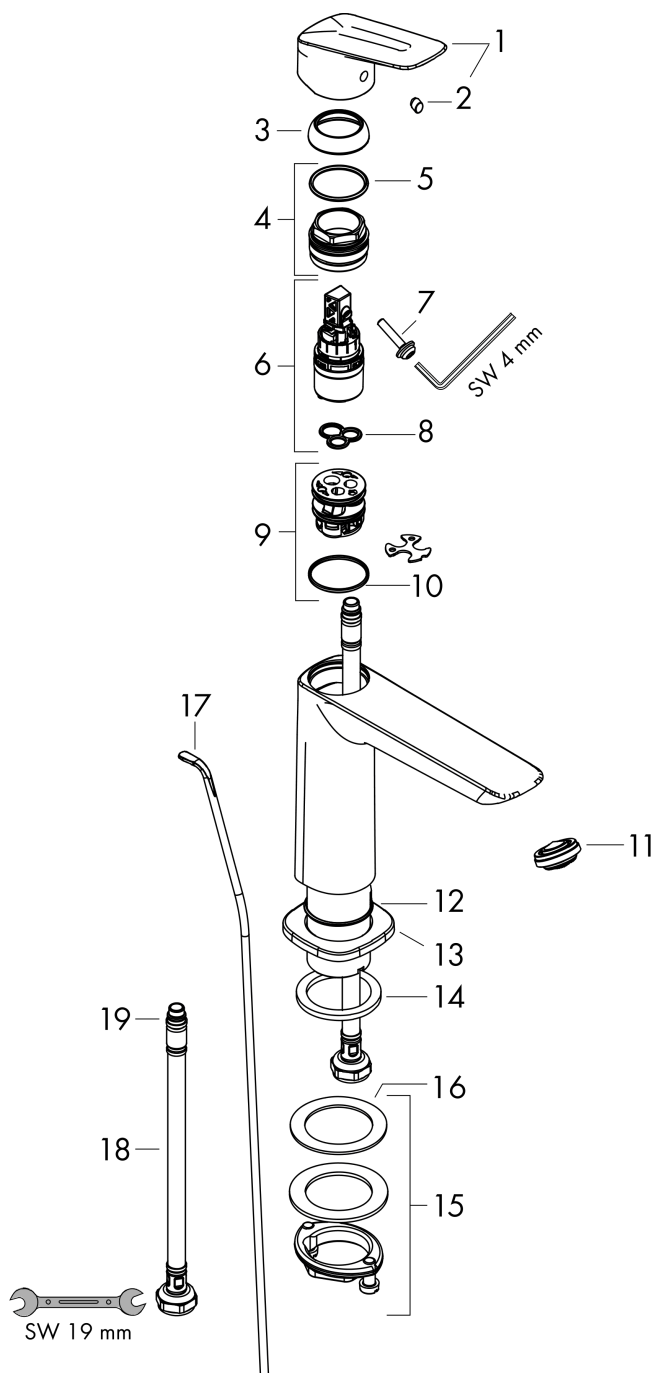


**Logis**  
**Single lever basin mixer 110 Fine with pop-up waste set**  
 Surfaces: **Chrome**    Article Number: **71251000**



## Exploded Drawing

Year of production: >05/21



## Logis

**Single lever basin mixer 110 Fine with pop-up waste set**

Surfaces: **Chrome** Article Number: **71251000**



### Spare part list

Year of production: >05/21

Pos.	Description	Article Number	Price	PU
1	handle	94376000	-	1
2	screw cover	96338000	-	1
3	flange	98863000	-	1
4	nut	98864000	-	1
5	O-ring 24x2	98388000	-	1
6	cartridge, assy	97685000	-	1
7	locking screw for handle	95140000	-	1
8	seal	98865000	-	1
9	adapter for cartridge	98866000	-	1
10	O-ring 23x2	98398000	-	1
11	aerator M24x1 (5 l/min)	94364000	-	1
12	O-ring 30x1,5	98433000	-	1
13	escutcheon	94382000	-	1
14	flat seal	98749000	-	1
15	fixing set (Ø 32)	13961000	-	1
16	lever collar	97548000	-	1
17	pull rod	96657000	-	1
18	connection hose 450 mm M8x0,75 G3/8	97206000	-	1
19	O-ring 6,6x1,6	93019000	-	1
20	pop up waste	92168000	-	1
21	fixation extension 35 mm	13898000	-	1