

Vernis Blend

Electronic basin mixer with temperature pre-adjustment mains connection 230 V

Surfaces: **Chrome** Article Number: **71501000**



Description

product features

- ComfortZone 100
- projection 112 mm
- spray type: normal spray
- swiveling spray former
- maximum flow rate at 3 bar: 5 l/min
- temperature pre-adjustable
- with isolated water conduction - without contact with nickel and lead
- non-return valve
- infrared sensor technology
- automatic environmental adjustment of infrared sensor
- 230 V / 50 Hz mains connection
- running time adjustable
- running time: 10 s, 20 s, 30 s
- hygiene rinse activatable (automatic water flow)
- frequency of hygiene rinse: 24 h, 48 h, 72 h
- flushing time hygiene rinse: 10 s, 20 s, 30 s
- permanent rinse activatable (single water flow for 200 seconds, suitable for thermal disinfection)
- cleaning mode: manual water stop for washbasin cleaning
- connection dimension: DN15
- dirt filters in the connection hoses
- frequency of hygiene rinse and flushing time hygiene rinse are dependent on each other (24 h - 10 s, 48 h - 20 s, 72 h - 30 s)

Technology



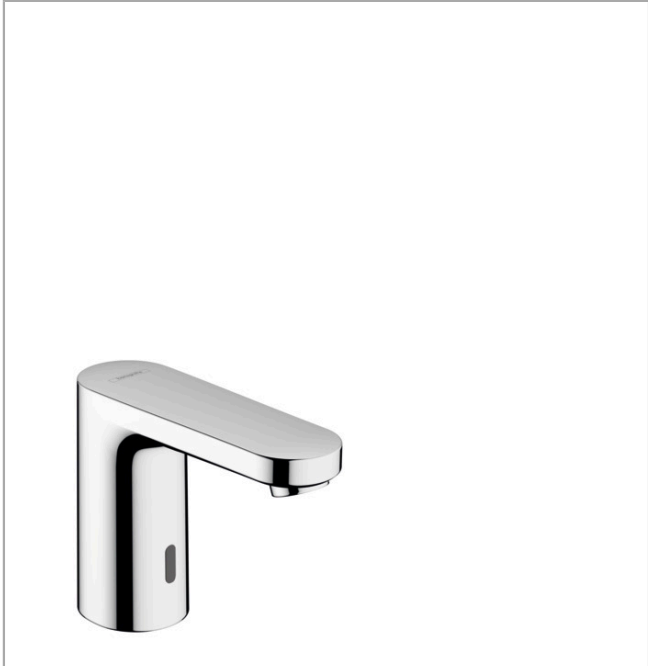
Vernis Blend

Electronic basin mixer with temperature pre-adjustment mains connection 230 V

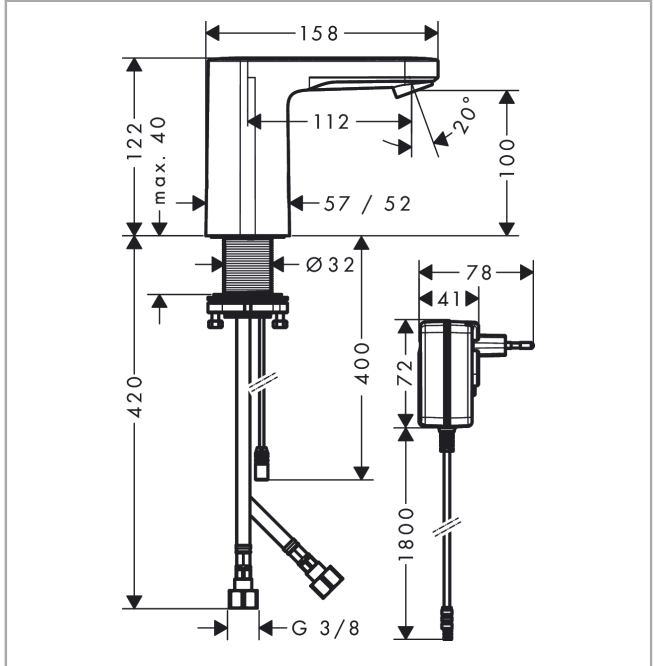
Surfaces: **Chrome** Article Number: **71501000**



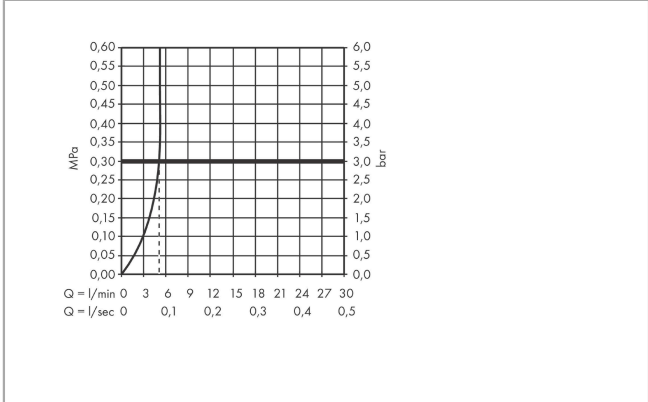
Product image



Scale drawing



Flowchart



Vernis Blend

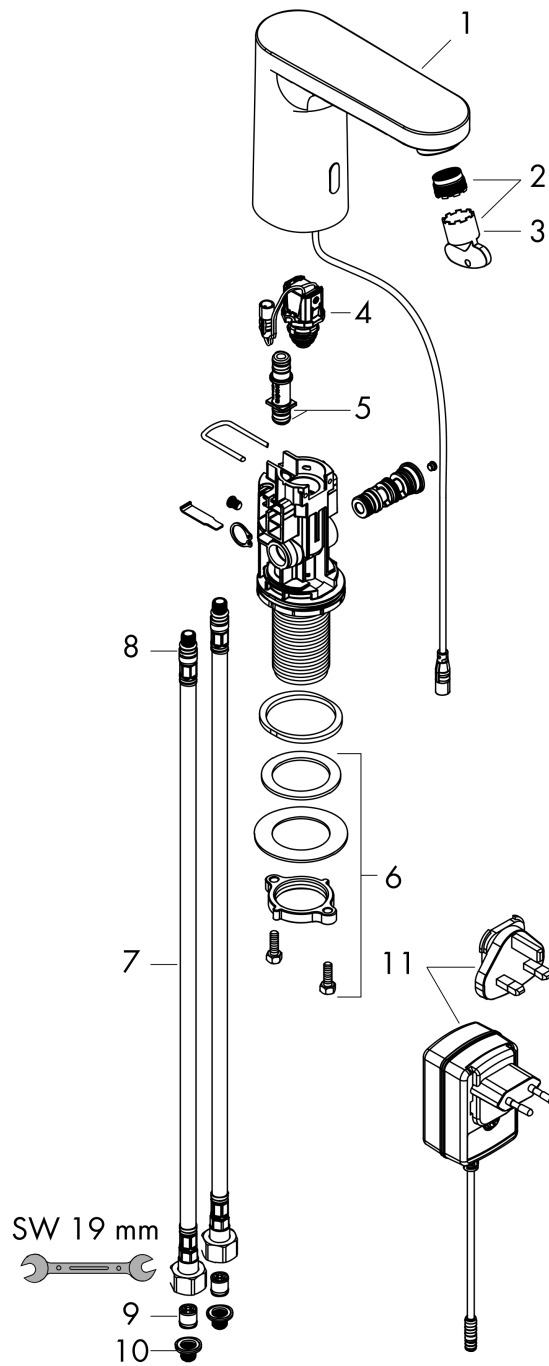
Electronic basin mixer with temperature pre-adjustment mains connection 230 V

Surfaces: **Chrome** Article Number: **71501000**



Exploded Drawing

Year of production: >09/21



Vernis Blend**Electronic basin mixer with temperature pre-adjustment mains connection 230 V**Surfaces: **Chrome** Article Number: **71501000****Spare part list**

Year of production: >09/21

Pos.	Description	Article Number	Price	PU
1	mixer-hood	94454000	-	1
2	aerator M18x1 (5 l/min)	94451000	-	1
3	service tool	93750000	-	1
4	solenoid valve	94453000	-	1
5	O-ring 8x1,5	98423000	-	1
6	fixing set (Ø 32)	13961000	-	1
7	connection hose 450 mm M8x0,75 G3/8	93405000	-	1
8	O-ring 7x1,5	98422000	-	1
9	non return valve DW 10	96456000	-	1
10	filter packing	95291000	-	1
11	transformer	94269000	-	1
a	Thermostat	15346000	-	1
b	fixation extension 35 mm	13898000	-	1