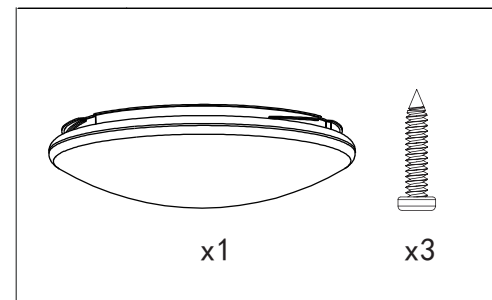
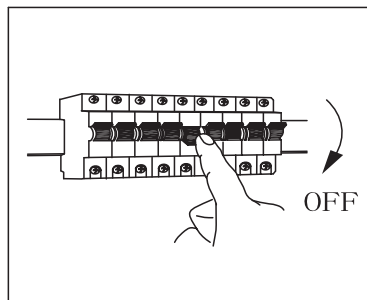
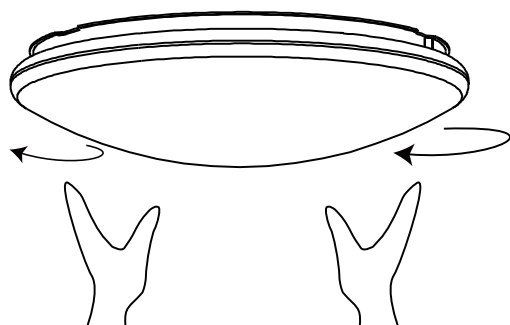


EGLO LED Ceiling Lamp

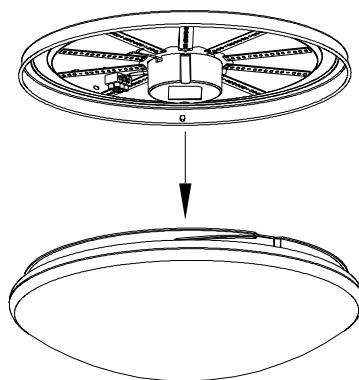
Art.-Nr.: 97101/97102
97103



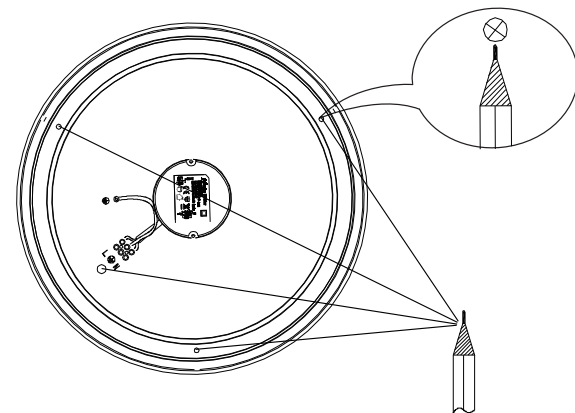
A



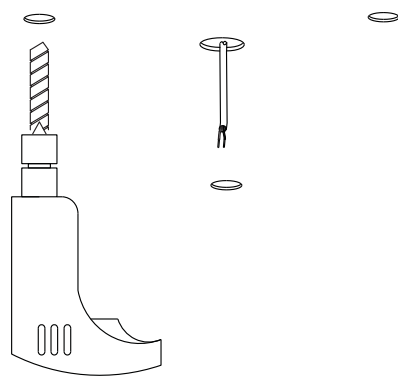
B



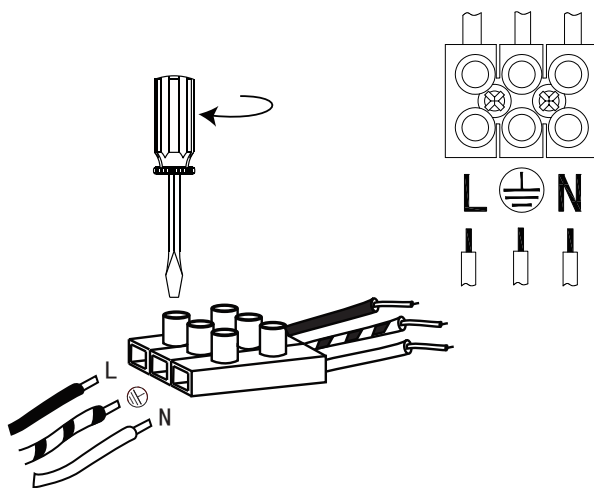
C



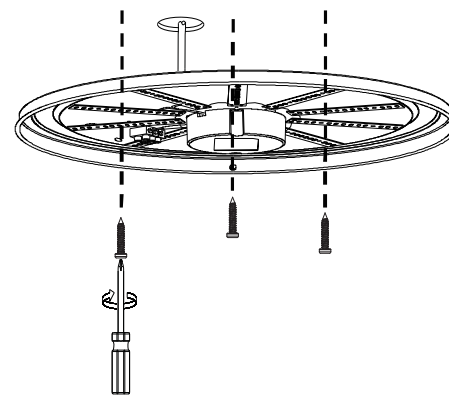
D



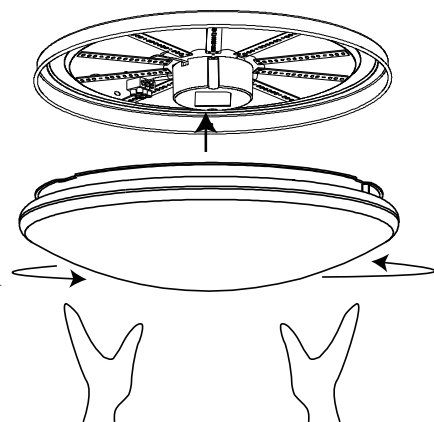
E



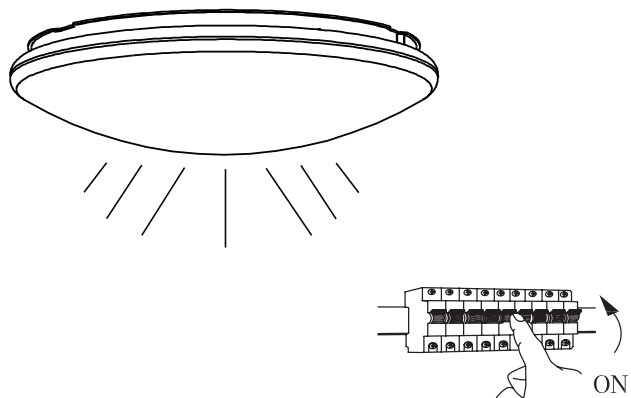
F



G



H



Sensor: Microwave
Distance: 6-8m
Detection Angle: 360°
Sensitivity: Min. 5 Lux, Max. 35 Lux
Time delay: 30sec to 18min