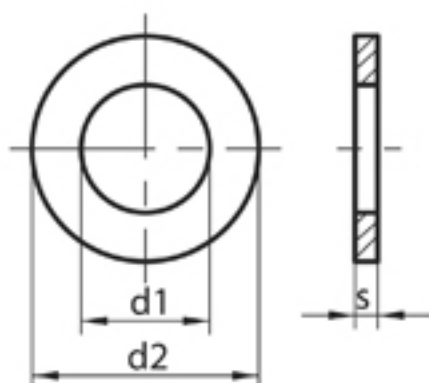


SRPS M.B2.011



d	M 3	M 4	M 5	M 6	M 8	M 10	M 12	M 14
d1	3,2	4,3	5,3	6,4	8,4	10,5	13,0	15,0
d2	7,0	9,0	10,0	12,0	16,0	20,0	24,0	28,0
s	0,5	0,8	1,0	1,6	1,6	2,0	2,5	2,5

kg/1000 kpl

	0,1	0,3	0,4	1,0	1,8	3,6	6,3	8,6
--	-----	-----	-----	-----	-----	-----	-----	-----

d	M 16	M 18	M 20	M 22	M 24	M 27	M 30	M 33
d1	17,0	19,0	21,0	23,0	25,0	28,0	31,0	34,0
d2	30,0	34,0	37,0	39,0	44,0	50,0	56,0	60,0
s	3,0	3,0	3,0	3,0	4,0	4,0	4,0	5,0

kg/1000 kpl

	11,3	14,7	17,2	18,3	32,3	43,7	53,6	75,3
--	------	------	------	------	------	------	------	------

d	M 36	M 39	M 42	M 45	M 48	M 52	M 56	M 60
d1	37,0	40,0	43,0	46,0	50,0	54,0	58,0	62,0
d2	66,0	72,0	78,0	85,0	92,0	98,0	105,0	110,0
s	5,0	6,0	7,0	7,0	8,0	8,0	9,0	9,0

kg/1000 kpl

	92,1	133,0	183,0	220,0	294,0	330,0	425,0	458,0
--	------	-------	-------	-------	-------	-------	-------	-------