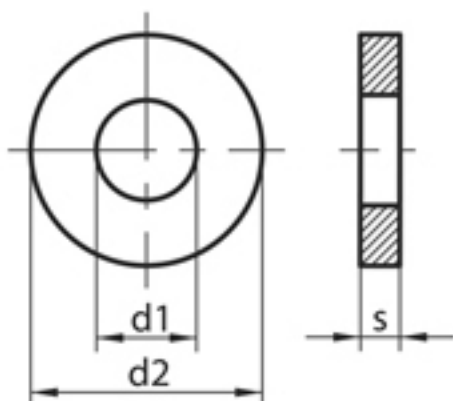


SRPS M.B2.014



| d | M 3 | M 4 | M 5 | M 6 | M 8 | M 10 | M 12 |
|----|-----|------|------|------|------|------|------|
| d1 | 3,2 | 4,3 | 5,3 | 6,4 | 8,4 | 10,5 | 13,0 |
| d2 | 9,0 | 12,0 | 15,0 | 18,0 | 24,0 | 30,0 | 37,0 |
| s | 0,8 | 1,0 | 1,2 | 1,6 | 2,0 | 2,5 | 3,0 |

kg/1000 kpl

| | | | | | | | |
|--|-----|-----|-----|-----|-----|------|------|
| | 0,4 | 0,8 | 1,5 | 2,8 | 6,2 | 12,2 | 22,2 |
|--|-----|-----|-----|-----|-----|------|------|

| d | M 14 | M 16 | M 18 | M 20 | M 24 | M 30 | M 36 |
|----|------|------|------|------|------|------|------|
| d1 | 15,0 | 17,0 | 20,0 | 22,0 | 26,0 | 33,0 | 39,0 |
| d2 | 44,0 | 50,0 | 56,0 | 60,0 | 72,0 | 92,0 | 110 |
| s | 3,0 | 3,0 | 4,0 | 4,0 | 5,0 | 6,0 | 8,0 |

kg/1000 kpl

| | | | | | | | |
|--|------|------|------|------|-----|-----|-----|
| | 31,6 | 40,9 | 67,4 | 77,0 | 139 | 273 | 522 |
|--|------|------|------|------|-----|-----|-----|