

# Light Metal Pipe Clamps

Denomination: **LIGHT METAL CLAMPS**

Codes: AB-M6, AB-D6, AB-6I, AB-DI, AB-GS, AB-GD, AB-GM, AB-CR, AB-PI, AB-PU, AB-SF, AB-BU, AB-IP, AB-TO, AB-SI

Reference: **FT ABRAL-en**

Date: **19/06/18**

Revision: **8**

Page: **3 of 17**

## 1.- AB-M6

## Pipe clamp M6

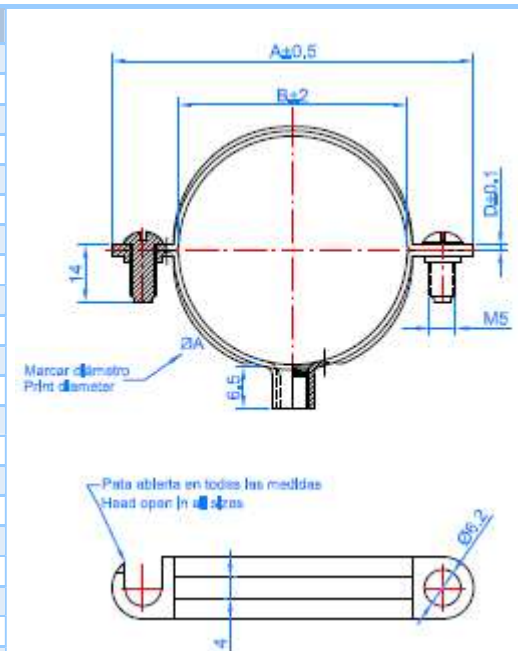
		Main Uses			Coating	Applications
		 Steel Piping	 Plastic Piping	 Copper Piping	<div style="display: flex; gap: 10px;"> <div style="background-color: yellow; padding: 2px;">B</div> <div style="background-color: gray; padding: 2px;">Zn</div> </div> Yellow zinc plated ≥ 3 microns Zinc plated ≥ 3 microns	Gas Sanitary Electrical
ABM6	ABMZ6					

### 1.1. Characteristics and Advantages

- For piping from  $\varnothing 8$  to  $\varnothing 63$  mm.
- Surface finish: Yellow zinc plated and zinc plated  $\geq 3$  microns.
- Steel profile,  $1 \div 1.2$  mm thick.
- Lateral opening for all diameters, for faster installation.
- Encased M6 nut.
- Suitable for steel and plastic piping.
- Suitable for gas, sanitary and electrical installations, etc.

### 1.2. Details

Code	$\varnothing B$ (mm)	$\varnothing B$ (")	Width	Thickness	Recommended Load (kg)
ABM6008	8	---	10.6	$1 \div 1.2$	70
ABM6010	10	1/8"	10.6	$1 \div 1.2$	70
ABM6012	12	1/4"	10.6	$1 \div 1.2$	70
ABM6014	14	---	10.6	$1 \div 1.2$	70
ABM6015	15	---	10.6	$1 \div 1.2$	70
ABM6016	16	---	10.6	$1 \div 1.2$	70
ABM6018	18	3/8"	10.6	$1 \div 1.2$	70
ABM6020	20	---	10.6	$1 \div 1.2$	70
ABM6022	22	1/2"	10.6	$1 \div 1.2$	70
ABM6025	25	---	10.6	$1 \div 1.2$	70
ABM6026	26	3/4"	10.6	$1 \div 1.2$	70
ABM6028	28	---	10.6	$1 \div 1.2$	70
ABM6032	32	1"	10.6	$1 \div 1.2$	70
ABM6035	35	---	11.5	$1 \div 1.2$	70
ABM6037	37	---	11.5	$1 \div 1.2$	100
ABM6040	40	---	11.5	$1 \div 1.2$	100
ABM6042	42	1 1/4"	11.5	$1 \div 1.2$	100
ABM6047	47	---	11.5	$1 \div 1.2$	100
ABM6050	50	---	11.5	$1 \div 1.2$	100
ABM6054	54	---	11.5	$1 \div 1.2$	100
ABM6060	60	2"	11.5	$1 \div 1.2$	100
ABM6063	63	---	11.5	$1 \div 1.2$	100



### 1.3. Application Examples

