

Light Metal Pipe Clamps

Denomination: **LIGHT METAL CLAMPS**

Codes: AB-M6, AB-D6, AB-6I, AB-DI, AB-GS, AB-GD, AB-GM, AB-CR, AB-PI, AB-PU, AB-SF, AB-BU, AB-IP, AB-TO, AB-SI

Reference: **FT ABRAL-en**

Date: **19/06/18**

Revision: **8**

Page: **4 of 17**

2.- AB-D6

Double pipe clamp M6

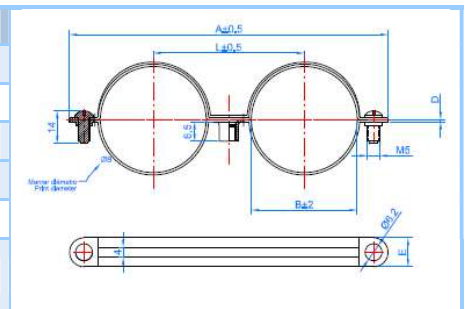
Code	Image	Main Uses			Coating	Applications
		Steel Piping	Plastic Piping	Copper Piping	B Zn	
ABD6					B Zn	Gas
ABDZ6		Steel Piping	Plastic Piping	Copper Piping	Yellow zinc plated ≥ 3 microns Zinc plated ≥ 3 microns	Sanitary Electrical

2.1. Characteristics and Advantages

- For piping from $\varnothing 12$ to $\varnothing 28$ mm.
- Surface finish: Yellow zinc plated and zinc plated ≥ 3 microns.
- Steel profile, $0,8 \div 1,5$ mm thick.
- Encased M6 nut.
- Suitable for steel and plastic piping.
- Suitable for gas, sanitary and electrical installations, etc.

2.2. Details

Code	$\varnothing B$ (mm)	$\varnothing B$ (")	Width	Thickness	Recommended Load (kg)
ABD6012 / ABDZ6012	12	1/4"	11.5 \div 12	0.8 \div 1.2	70
ABD6015 / ABDZ6015	15	---	11.5 \div 12	0.8 \div 1.3	70
ABD6018 / ABDZ6018	18	3/8"	11.5 \div 12	0.8 \div 1.3	70
ABD6020	20	---	11.5 \div 12	0.8 \div 1.3	100
ABD6022 / ABDZ6022	22	1/2"	11.5 \div 12	0.8 \div 1.3	70
ABD6028 / ABDZ6028	28	---	11.5 \div 12	1.1 \div 1.5	70



2.3. Application Examples

