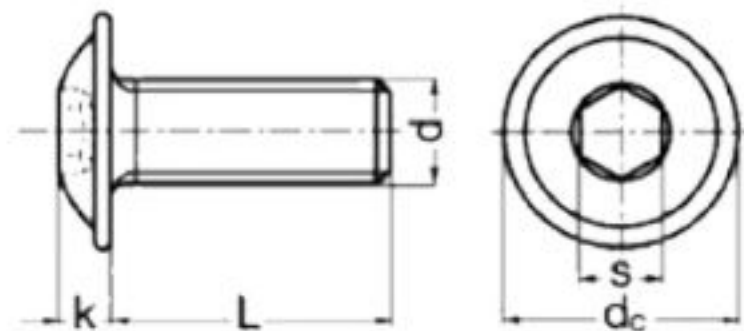


## ISO 7380 Socket Flange Button Head Screws



ISO 7380 Socket Flange Button Head Screws

d-Diameter	M2	M2.5	M3	M3.5	M4	M5	M6	M8	M10	M12	M16
dc-Max	—	—	7.10	—	9.40	11.80	13.60	17.80	22.00	24.00	—
k-Max	—	—	1.70	—	2.20	2.80	3.30	4.40	5.50	6.60	—
s-A/F	—	—	2	—	2.5	3	4	5	6	8	—