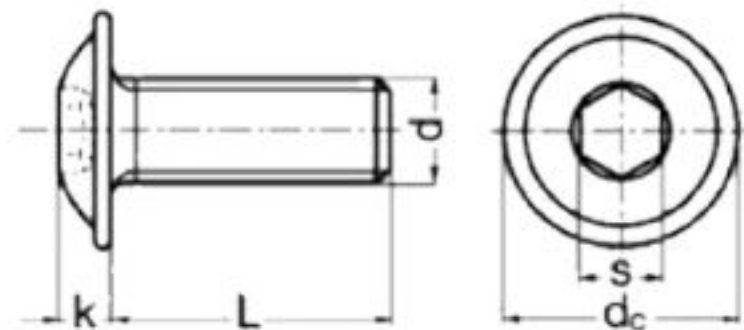


ISO 7380 Socket Flange Button Head Screws



ISO 7380 Socket Flange Button Head Screws

| d-Diameter | M2 | M2.5 | M3 | M3.5 | M4 | M5 | M6 | M8 | M10 | M12 | M16 |
|------------|----|------|------|------|------|-------|-------|-------|-------|-------|-----|
| dc-Max | — | — | 7.10 | — | 9.40 | 11.80 | 13.60 | 17.80 | 22.00 | 24.00 | — |
| k-Max | — | — | 1.70 | — | 2.20 | 2.80 | 3.30 | 4.40 | 5.50 | 6.60 | — |
| s-A/F | — | — | 2 | — | 2.5 | 3 | 4 | 5 | 6 | 8 | — |