

Tehničke karakteristike proizvoda

Karakteristike

XVUC25

Ø 60 mm svetleća LED jedinica - trajno osvetljenje - narandž.- IP65 - 24 V AC/DC



Osnovne informacije

| | |
|---------------------------------------|--|
| Grupa proizvoda | Harmony XVU |
| Tip proizvoda ili komponente | Modularna svetleća kolona |
| Tip baze svetleće kolone ili semafora | LED jedinica |
| Prečnik za montiranje | 60 mm |
| Ime komponente | XVU |
| Svetlosni izvor | LED, narandžasta |
| Primena uređaja | Mašina za pakovanje Mašinski alati Automobilska industrija |

Dopunske informacije

| | |
|---------------------------------|--|
| Tip signalizacije | Trajna |
| Način spajanja | Za sastavljanje kod korisnika, do 5 jedinica Do 4 jedinice sa zujalicom |
| Materijal | PC (polikarbonat) V-2 otpornost na plamen u skladu sa UL 94 PC (polikarbonat) V-0 otpornost na plamen u skladu sa UL 94 |
| [us] nazivni napon napajanja | 24 V AC/DC |
| Maksimalna snaga disipacije u w | 2 W |
| Potrošnja struje | <= 40 mA |
| Vrsta signalizacije | Trajna |
| Dužina | 50 mm |
| Masa proizvoda | 0,064 kg |

Okruženje

| | |
|-------------------------------------|-----------------|
| Sertifikacija proizvoda | CSA UL CE |
| Temperatura okoline za skladištenje | -40...70 °C |
| Ip stepen zaštite | IP65 |
| Temperatura okoline za rad uređaja | -25...50 °C |
| Otpornost na vibracije | 2 gn |

Pakovanje

| | |
|------------------------------|----------|
| Unit Type of Package 1 | PCE |
| Number of Units in Package 1 | 1 |
| Package 1 Height | 9,0 cm |
| Package 1 Width | 13,3 cm |
| Package 1 Length | 9,1 cm |
| Package 1 Weight | 145,0 g |
| Unit Type of Package 2 | PAL |
| Number of Units in Package 2 | 192 |
| Package 2 Height | 60,0 cm |
| Package 2 Width | 80,0 cm |
| Package 2 Length | 70,0 cm |
| Package 2 Weight | 35,84 kg |

| | |
|------------------------------|---------|
| Unit Type of Package 3 | S03 |
| Number of Units in Package 3 | 24 |
| Package 3 Height | 30,0 cm |
| Package 3 Width | 30,0 cm |
| Package 3 Length | 40,0 cm |
| Package 3 Weight | 3,68 kg |

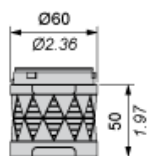
Održivost ponude

| | |
|------------------------------|--|
| Status održive ponude | Green Premium proizvod |
| Propis REACH | REACH Deklaracija |
| EU RoHS direktiva | Proaktivna usaglašenost (proizvod nije u zakonskom okviru direktive EU RoHS) EU RoHS deklaracija |
| Bez žive | Da |
| Informacije o RoHS izuzecima | Da |
| RoHS regulativa za Kinu | RoHS Deklaracija Za Kinu |
| Izjava o zaštiti okoliša | Profil Ekološke Prihvatljivosti Proizvoda |
| Profil cirkularnosti | Informacije O Kraju Radnog Veka |

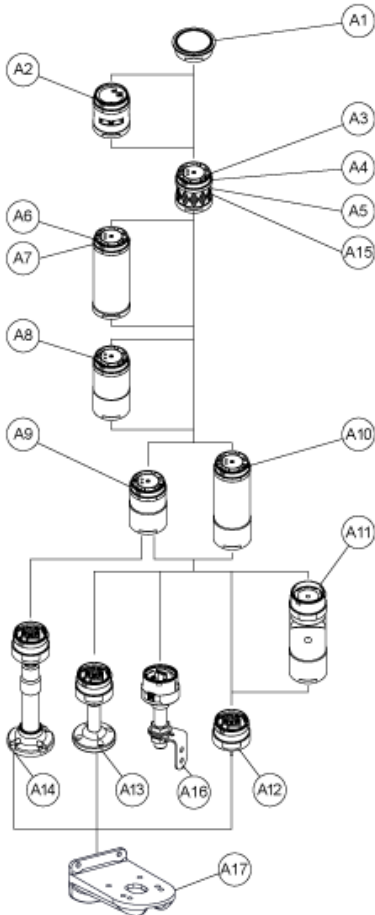
Illuminated LED Unit

Dimensions

$\frac{\text{mm}}{\text{in.}}$



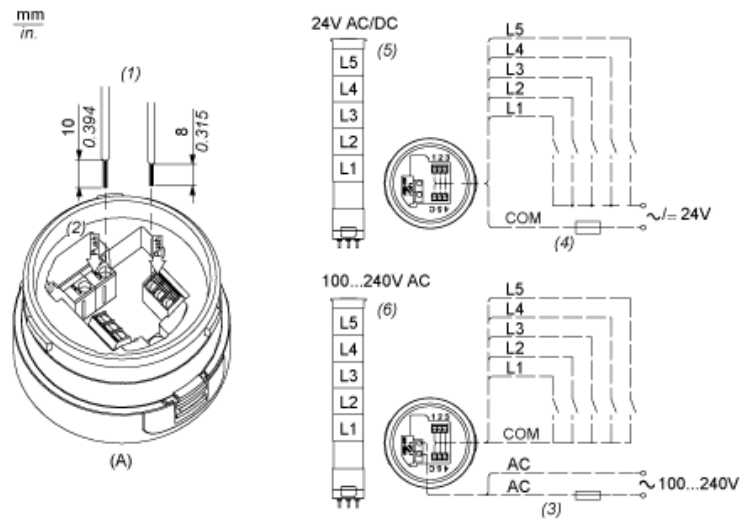
Modular Tower Lights Mounting



| Drawing | Part number | Part name |
|----------|----------------------|------------------------------|
| A1 | - | Top cover |
| - | Top cover (Silver) | |
| A2 | XVUC9S | Buzzer unit |
| XVUC9SQ | Buzzer unit (Silver) | |
| A3 | XVUC23 | Green LED unit |
| XVUC24 | Red LED unit | |
| XVUC25 | Orange LED unit | |
| XVUC26 | Blue LED unit | |
| XVUC27 | White LED unit | |
| XVUC28 | Yellow LED unit | |
| A4 | XVUC29 | Multi-LED unit |
| A5 | XVUC29P | Multi-LED unit, Pulse signal |
| A6 | XVUC9V | Sound unit |
| A7 | XVUC9VP | Sound unit, Pulse signal |
| A8 | XVUC020 | Extender |
| XVUC020Q | Extender (Silver) | |
| A9 | XVUC21B | DC body |

| Drawing | Part number | Part name |
|-----------|--|---|
| XVUC21BQ | DC body (Silver) | |
| A10 | XVUC21M | AC body NPN |
| XVUC21MP | AC body PNP | |
| XVUC21MQP | AC body PNP (Silver) | |
| A11 | XVUZ06 | Flexible option |
| A12 | XVUZ01 | Fixing Unit - Direct mounting (3 pins) |
| XVUZ01Q | Fixing Unit - Direct mounting (Silver,3 pins) | |
| XVUZ03 | Fixing Unit - Direct mounting (2 pins) | |
| XVUZ04 | Fixing Unit - Direct mounting (4 pins) | |
| A13 | XVUZ02 | Fixing Unit - Plate with Pole (100 mm) |
| XVUZ02Q | Fixing Unit - Plate with Pole (100 mm, Silver) | |
| XVUZ400 | Fixing Unit - Plate with Pole (400 mm) | |
| XVUZ800 | Fixing Unit - Plate with Pole (800 mm) | |
| A14 | XVUZ05 | Fixing Unit - Plate with adjustment pole (100-385 mm) |
| A15 | XVUC43 | Green LED unit, Flash |
| XVUC44 | Red LED unit, Flash | |
| XVUC45 | Orange LED unit, Flash | |
| XVUC46 | Blue LED unit, Flash | |
| XVUC47 | White LED unit, Flash | |
| XVUC48 | Yellow LED unit, Flash | |
| A16 | XVUZ100T | Fixing Unit - Metal bracket with pole (100 mm) |
| XVUZ250T | Fixing Unit - Metal bracket with pole(250 mm) | |
| XVUZ400T | Fixing Unit - Metal bracket with pole (400 mm) | |
| A17 | XVUZ12 | Fixing plate for use on vertical support - black |

Illuminated Units, Multi-LED and Audible Units Wiring



- (A) Fixing Unit
 - (1) Dimensions of Wiring size
 - (2) Push-in Wire Connectors
 - (3) Fuse : 2A ,250V
 - (4) Fuse : 0.5A ,125V
 - (5) Modular Tower Lights 24V AC/DC
 - (6) Modular Tower Lights 100...240V AC
- L1 to Illuminated LED Units
 L5 :