



### Osnovne informacije

Grupa proizvoda	Harmony XB5
Tip proizvoda ili komponente	Glava za dvostruki taster
Kratko ime uređaja	ZB5
Materijal podnožja	Tamno siva plastika
Prečnik za montiranje	22 mm
Tip glave	Standardni
Prodaja po nedeljivim količinama	1
Oblik glave signalne jedinice	Pravougaona
Tip glave uređaja	Sa povratkom
Glava uređaja	2 udubljena tastera
Obeležavanje glave	Crni tasteri bez oznake glave

### Dopunske informacije

Cad ukupna širina	30 mm
Cad ukupna visina	50 mm
Cad ukupna dubina	30 mm
Masa proizvoda	0,023 kg
Boja oznake	Crna oznaka kada je kapica bela Crna oznaka kada je kapica zelena, crvena ili crna
Profil glave uređaja	Bez kapice
Mehanička trajnost	1000000 ciklusa
Ime stanice	XALD 1 izrez
Kod	C3 za <6 kontakti koristeći jednostruke blokove u prednja ugradnja C4 za <6 kontakti koristeći jednostruke i dvostruke blokove u prednja ugradnja C14 za <2 kontakti koristeći jednostruke blokove u prednja ugradnja SF2 za <2 kontakti koristeći jednostruke blokove u prednja ugradnja SR2 za <2 kontakti koristeći jednostruke blokove u zadnja montaža
Prezentacija uređaja	Osnovni element

### Okruženje

Tretman zaštite	TH
Temperatura okoline za skladištenje	-40...70 °C
Temperatura okoline za rad uređaja	-25...70 °C
Klasa zaštite protiv električnog udara	Klasa II u skladu sa IEC 60536
Ip stepen zaštite	IP66 u skladu sa IEC 60529 IP69K u skladu sa IEC 60529
Nema stepen zaštite	NEMA 13 NEMA 4X
Otpornost na uređaj za pranje pod pritiskom	7000000 Pa pri 55 °C, razdaljina : 0.1 m
Ik stepen zaštite	IK03 u skladu sa IEC 50102
Standardi	EN/IEC 60947-5-1 CSA C22.2 No 14 EN/IEC 60947-5-4 JIS C8201-5-1 EN/IEC 60947-1 UL 508 JIS C8201-1

Informacije navedene u ovoj dokumentaciji predstavljaju opšti opis odnosno tehničke karakteristike performansi proizvoda. Dokumentacija nije namenjena da bude zamena za niti se može koristiti za određivanje prikladnosti i pouzdanosti proizvoda za specifičnu krajnju primenu. Dužnost je korisnika odnosno integratora da izvrši primerenu i sveobuhvatnu analizu rizika, procenu i proveru proizvoda u pogledu odgovarajuće specifične primene ili načina korišćenja. Ni Schneider Electric Industries SAS ni njegova povezanost za zloupotrebu ovdenevidenih informacija.

Sertifikacija proizvoda	LROS (Lloyds register of shipping) DNV GL UL odobrenje BV CSA
Otpornost na vibracije	5 gn (f= 2...500 Hz) u skladu sa IEC 60068-2-6
Otpornost na udare	30 gn (trajanje = 18 milisekundi) za ubrzanje polovine sinusne periode u skladu sa IEC 60068-2-27 50 gn (trajanje = 11 milisekundi) za ubrzanje polovine sinusne periode u skladu sa IEC 60068-2-27

## Pakovanje

Unit Type of Package 1	PCE
Number of Units in Package 1	1
Package 1 Height	4,8 cm
Package 1 Width	4,8 cm
Package 1 Length	3,0 cm
Package 1 Weight	24,0 g
Unit Type of Package 2	BB1
Number of Units in Package 2	5
Package 2 Height	5,5 cm
Package 2 Width	26,5 cm
Package 2 Length	3,3 cm
Package 2 Weight	125,0 g
Unit Type of Package 3	S02
Number of Units in Package 3	50
Package 3 Height	15,0 cm
Package 3 Width	30,0 cm
Package 3 Length	40,0 cm
Package 3 Weight	1,553 kg

## Održivost ponude

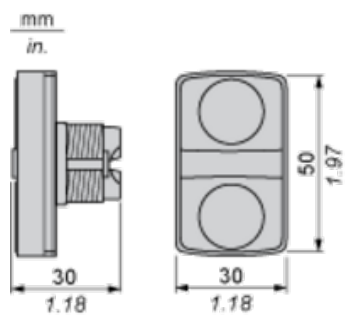
Status održive ponude	Green Premium proizvod
Propis REACH	<a href="#">REACH Deklaracija</a>
REACH bez SVHC	Da
EU RoHS direktiva	Proaktivna usaglašenost (proizvod nije u zakonskom okviru direktive EU RoHS) <a href="#">EU RoHS deklaracija</a>
Bez toksičnih teških metala	Da
Bez žive	Da
Informacije o RoHS izuzecima	<a href="#">Da</a>
RoHS regulativa za Kinu	<a href="#">RoHS Deklaracija Za Kinu</a>
Izjava o zaštiti okoliša	<a href="#">Profil Ekološke Prihvatljivosti Proizvoda</a>
Profil cirkularnosti	<a href="#">Informacije O Kraju Radnog Veka</a>

## Ugovorna garancija

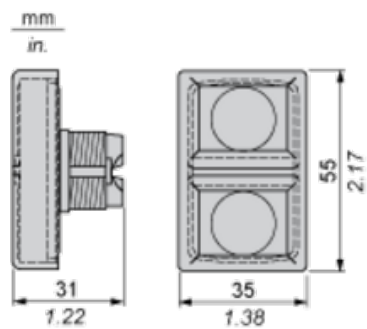
Garancija	18 meseci
-----------	-----------

Dimensions

Without Boot

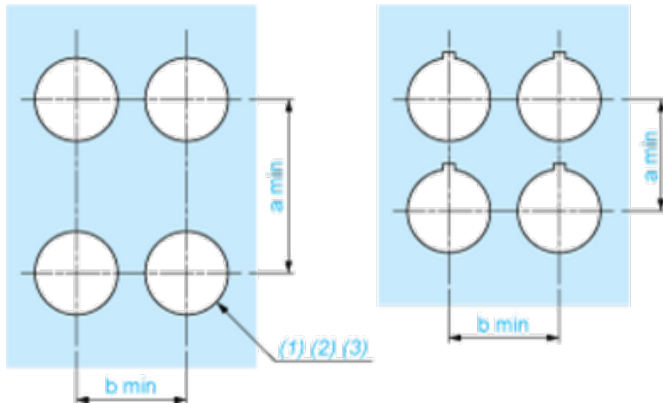


With Boot ZBA708



Panel Cut-out for Pushbuttons, Switches and Pilot Lights (Finished Holes, Ready for Installation)

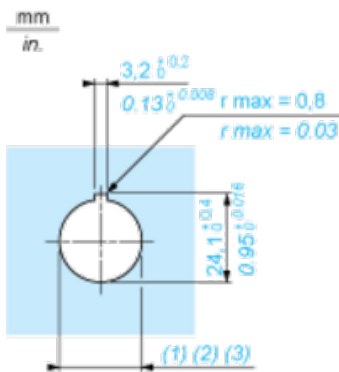
Connection by Screw Clamp Terminals or Plug-in Connectors or on Printed Circuit Board



- (1) Diameter on finished panel or support
- (2) For selector switches and Emergency stop buttons, use of an anti-rotation plate type ZB5AZ902 is recommended.
- (3)  $\varnothing 22.5$  mm recommended ( $\varnothing 22.3_0^{+0.4}$ ) /  $\varnothing 0.89$  in. recommended ( $\varnothing 0.88$  in.  $_0^{+0.016}$ )

Connections	a in mm	a in in.	b in mm	b in in.
By screw clamp terminals or plug-in connector	40	1.57	30	1.18
By Faston connectors	45	1.77	32	1.26
On printed circuit board	30	1.18	30	1.18

Detail of Lug Recess



- (1) Diameter on finished panel or support
- (2) For selector switches and Emergency stop buttons, use of an anti-rotation plate type ZB5AZ902 is recommended.
- (3)  $\varnothing 22.5$  mm recommended ( $\varnothing 22.3_0^{+0.4}$ ) /  $\varnothing 0.89$  in. recommended ( $\varnothing 0.88$  in.  $_0^{+0.016}$ )

Pushbuttons, Switches and Pilot Lights for Printed Circuit Board Connection

Panel Cut-outs (Viewed from Installer's Side)



A: 30 mm min. / 1.18 in. min.

B: 40 mm min. / 1.57 in. min.

Printed Circuit Board Cut-outs (Viewed from Electrical Block Side)

Dimensions in mm



A: 30 mm min.

B: 40 mm min.

Dimensions in in.



A: 1.18 in. min.

B: 1.57 in. min.

### General Tolerances of the Panel and Printed Circuit Board

The cumulative tolerance must not exceed 0.3 mm / 0.012 in.:  $T1 + T2 = 0.3 \text{ mm max.}$

### Installation Precautions

- Minimum thickness of circuit board: 1.6 mm / 0.06 in.
- Cut-out diameter: 22.4 mm  $\pm$  0.1 / 0.88 in.  $\pm$  0.004
- Orientation of body/fixing collar ZB5AZ009:  $\pm 2^\circ 30'$  (excluding cut-outs marked a and b).
- Tightening torque of screws ZBZ006: 0.6 N.m (5.3 lbf.in) max.
- Allow for one ZB5AZ079 fixing collar/pillar and its fixing screws:
  - every 90 mm / 3.54 in. horizontally (X), and 120 mm / 4.72 in. vertically (Y).
  - with each selector switch head (ZB5AD•, ZB5AJ•, ZB5AG•).

The fixing centers marked a and b are diagonally opposed and must align with those marked 4 and 5.



(1) Head ZB5AD•

(2) Panel

(2) Nut

#### (4) Printed circuit board

##### Mounting of Adapter (Socket) ZBZ01•

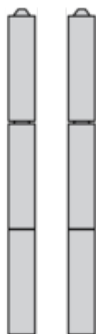
- 1 2 elongated holes for ZBZ006 screw access
- 2 1 hole  $\varnothing$  2.4 mm  $\pm$  0.05 / 0.09 in.  $\pm$  0.002 for centring adapter ZBZ01•
- 3 8  $\times$   $\varnothing$  1.2 mm / 0.05 in. holes
- 4 1 hole  $\varnothing$  2.9 mm  $\pm$  0.05 / 0.11 in.  $\pm$  0.002, for aligning the printed circuit board (with cut-out marked a)
- 5 1 elongated hole for aligning the printed circuit board (with cut-out marked b)
- 6 4 holes  $\varnothing$  2.4 mm / 0.09 in. for clipping in adapter ZBZ01•

Dimensions An + 18.1 relate to the  $\varnothing$  2.4 mm  $\pm$  0.05 / 0.09 in.  $\pm$  0.002 holes for centring adapter ZBZ01•.

---

Electrical Composition Corresponding to Code C3

---



---

Electrical Composition Corresponding to Code C4

---

---

Electrical Composition Corresponding to Codes C14, SF2 and SR2

---

---

Legend

---

Single contact

Double contact



Light block

Possible location

