



### Osnovne informacije

Grupa proizvoda	Harmony XB5
Prodaja po nedeljivim količinama	10

### Dopunske informacije

Panel Thickness with accessory	1,5...5 mm
Tip proizvoda ili komponente	Zaštitni poklopac
Materijal	Plastika
Pribor / posebna kategorija	Pribor za zaštitu
Kompatibilnost proizvoda	RJ45 port za montažu na orman XB5P USB port za montažu na orman XB5P
Ip stepen zaštite	IP65 u skladu sa IEC 60529 IP67 u skladu sa IEC 60529
Boja	Crna

### Pakovanje

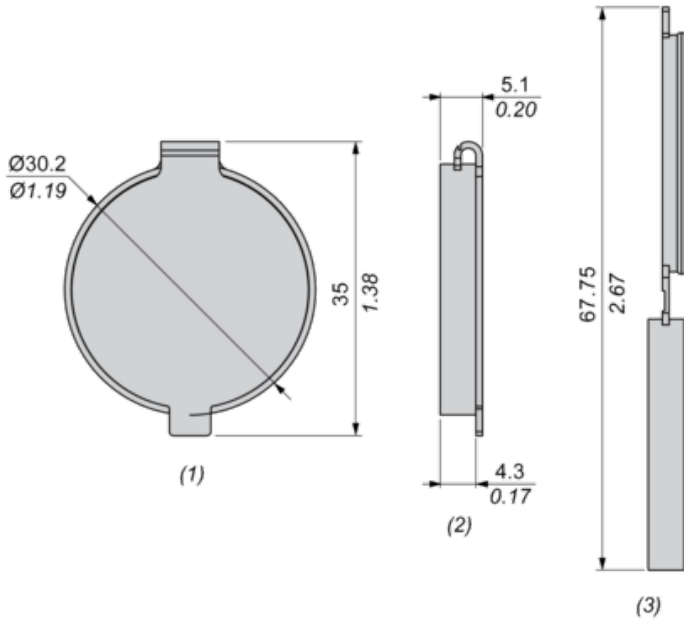
Unit Type of Package 1	PCE
Number of Units in Package 1	1
Package 1 Height	1,5 cm
Package 1 Width	8,0 cm
Package 1 Length	13,0 cm
Package 1 Weight	2,0 g
Unit Type of Package 2	BB1
Number of Units in Package 2	10
Package 2 Height	1,5 cm
Package 2 Width	8,0 cm
Package 2 Length	13,0 cm
Package 2 Weight	27,0 g
Unit Type of Package 3	S02
Number of Units in Package 3	300
Package 3 Height	15,0 cm
Package 3 Width	30,0 cm
Package 3 Length	40,0 cm
Package 3 Weight	1,152 kg

## Održivost ponude

EU RoHS direktiva	Proaktivna usaglašenost (proizvod nije u zakonskom okviru direktive EU RoHS) <a href="#">EU RoHS deklaracija</a>
Bez žive	Da
Informacije o RoHS izuzecima	<a href="#">Da</a>
RoHS regulativa za Kinu	<a href="#">RoHS Deklaracija Za Kinu</a>

Dimensions

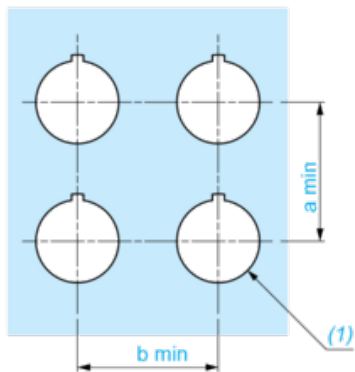
mm  
in.



- (1) Front view
- (2) Side view - Closed
- (3) Side view - Open

Panel Cut-out for Protective Cover (Finished Holes, Ready for Installation)

Connection by Screw Clamp Terminals or Plug-in Connectors



(1) Diameter on finished panel or support

Connections	a in mm	a in in.	b in mm	b in in.
By screw clamp terminals or plug-in connector	40	1.57	40	1.57