



Osnovne informacije

Grupa proizvoda	Harmony XB5
Prodaja po nedeljivim količinama	1

Dopunske informacije

Panel Thickness with accessory	1,5...5 mm
Tip proizvoda ili komponente	Kruti zaštitni poklopac
Materijal	Plastika
Pribor / posebna kategorija	Pribor za zaštitu
Kompatibilnost proizvoda	RJ45 port za montažu na orman XB5P USB port za montažu na orman XB5P
Ip stepen zaštite	IP65 u skladu sa IEC 60529 IP67 u skladu sa IEC 60529
Boja	Providna

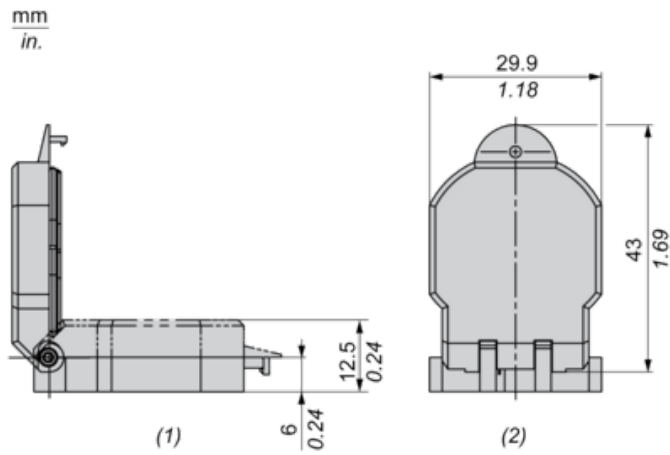
Pakovanje

Unit Type of Package 1	PCE
Number of Units in Package 1	1
Package 1 Height	1,5 cm
Package 1 Width	6 cm
Package 1 Length	8 cm
Package 1 Weight	8 g
Unit Type of Package 2	BB1
Number of Units in Package 2	75
Package 2 Height	9,5 cm
Package 2 Width	19 cm
Package 2 Length	28 cm
Package 2 Weight	632 g
Unit Type of Package 3	S02
Number of Units in Package 3	150
Package 3 Height	15 cm
Package 3 Width	30 cm
Package 3 Length	40 cm
Package 3 Weight	1,606 kg

Održivost ponude

EU RoHS direktiva	Proaktivna usaglašenost (proizvod nije u zakonskom okviru direktive EU RoHS) EU RoHS deklaracija
Bez žive	Da
Informacije o RoHS izuzecima	Da
RoHS regulativa za Kinu	RoHS Deklaracija Za Kinu

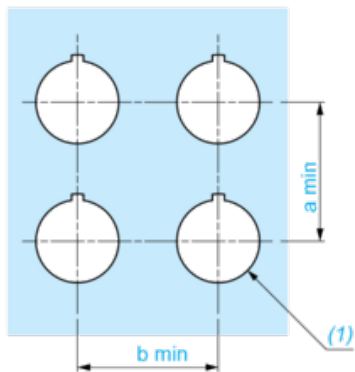
Dimensions



(1) Side View - Open
(2) Back View - Open

Panel Cut-out for Protective Cover (Finished Holes, Ready for Installation)

Connection by Screw Clamp Terminals or Plug-in Connectors



(1) Diameter on finished panel or support

Connections	a in mm	a in in.	b in mm	b in in.
By screw clamp terminals or plug-in connector	40	1.57	40	1.57